

# INTRODUCTION

This application guide provides you with information needed to select the actuator and, if necessary, select accessories needed for your application. The guide provides actuator sizing instructions and selection tables for:

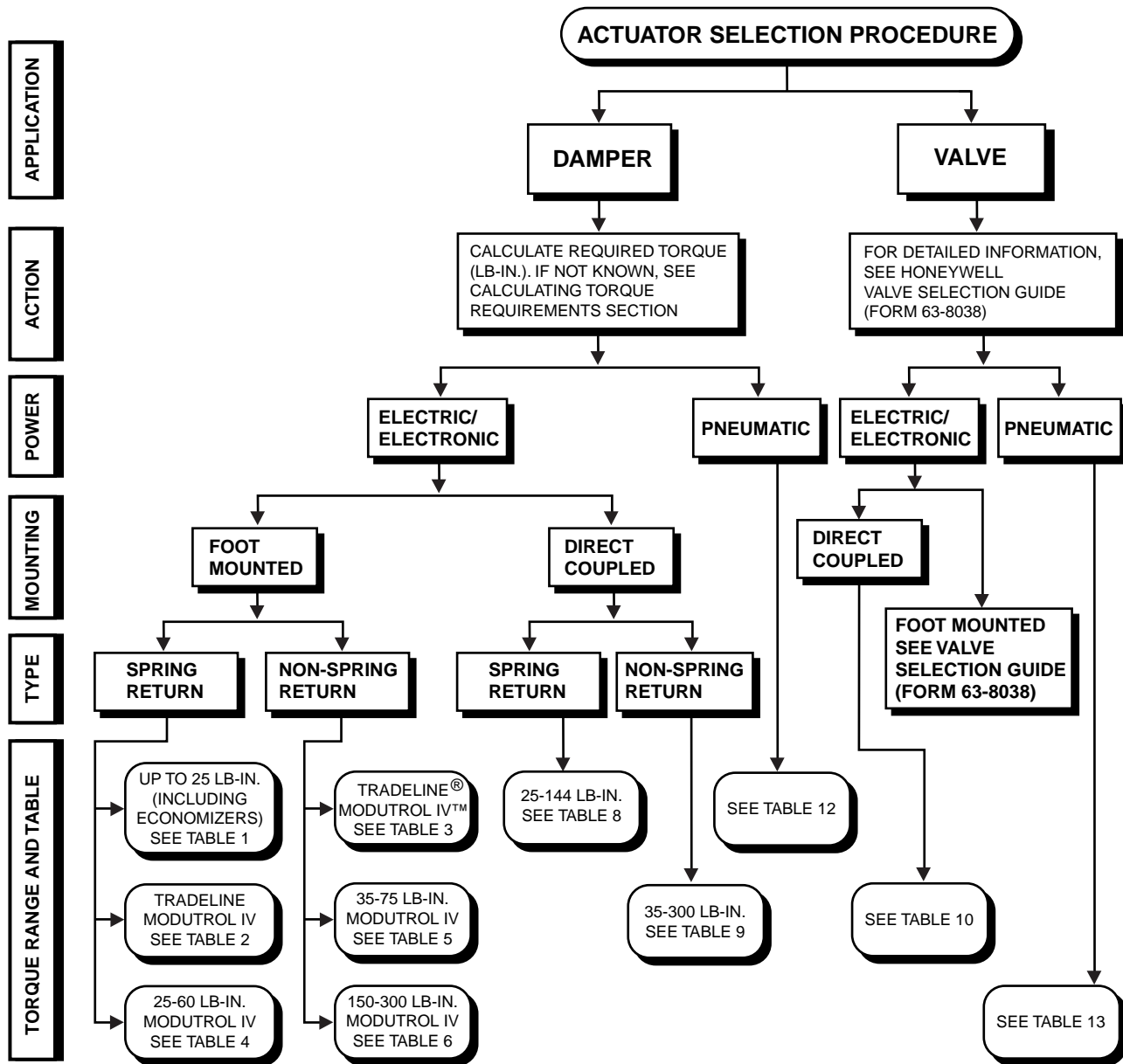
- Electric/electronic damper actuators.
- Pneumatic damper actuators.

NOTE: Information needed to select an actuator for a valve application is in the Valve Selection Guide (form 63-8038).

NOTE: For basic information on each family of actuators, see the Actuator Product Overview.

The Actuator Selection Guide has an outline of decisions and steps to select actuators.

## Actuator Selection Procedure



**Contents**

**INTRODUCTION** ..... inside front cover

**ACTUATOR SELECTION PROCEDURE** ..... inside front cover

**MOTOR/ACTUATOR PRODUCT OVERVIEW** ..... 4

For Dampers ..... 4

Foot-mounted and Specialty ..... 4

Direct Coupled ..... 8

Pneumatic ..... 10

For Valves ..... 12

Electric/Electronic ..... 12

Pneumatic ..... 13

**MODUTROL IV MOTOR ORDER NUMBER GUIDE** ..... 14

**DIRECT COUPLED ACTUATOR ORDER NUMBER GUIDE** ..... 14

**CALCULATING TORQUE REQUIREMENTS** ..... 15

**ELECTRIC/ELECTRONIC ACTUATORS** ..... 15

Foot-Mounted Actuators ..... 15

Direct Coupled Actuators ..... 15

**PNEUMATIC ACTUATORS** ..... 15

**Tables**

**FOOT-MOUNTED/SPECIALTY ACTUATORS**

Table 1. Low torque/specialty (up to 25 lb-in) spring return foot-mounted actuators .... 16

Table 2. TRADELINE® Modutrol IV™ spring return foot-mounted actuators ..... 16

Table 3. TRADELINE® Modutrol IV™ non-spring return foot-mounted actuators ..... 17

Table 4. 25-60 lb-in. spring return foot-mounted Modutrol IV actuators ..... 18

Table 5. 35-75 lb-in. non-spring return foot-mounted Modutrol IV actuators ..... 19

Table 6. 150-300 lb-in. non-spring return foot-mounted Modutrol IV actuators ..... 20

Table 7. Foot-mounted actuator accessories ..... 22

**DIRECT COUPLED ACTUATORS**

Table 8. 25-144 lb-in. spring return direct coupled actuators ..... 24

Table 9. 35-300 lb-in. non-spring return direct coupled actuators ..... 25

Table 10. Direct coupled valve actuators ..... 27

Table 11. Direct coupled actuator accessories ..... 28

**PNEUMATIC ACTUATORS**

Table 12. Pneumatic damper actuators ..... 32

Table 13. Pneumatic valve actuators ..... 34

Table 14. Pneumatic actuator accessories ..... 35

**Appendices**

**A. DETERMINING DAMPER ACTUATOR TORQUE REQUIREMENTS** ..... 36

Table A-1. Honeywell D640/D641 damper lb-in. per sq ft value ..... 37

Table A-2. Honeywell D642/D643 damper lb-in. per sq ft value ..... 37

**B. DETERMINING DAMPER ACTUATOR TORQUE REQUIREMENTS WHEN USING A NON-HONEYWELL DAMPER** ..... 38

Table B-1. Approximate industry standard damper lb-in. per sq ft value ..... 38

## MOTOR/ACTUATOR PRODUCT OVERVIEW

### For Dampers

#### Foot-mounted and Specialty

##### **M436, M836 Two-position Spring Return Motors**

Motor for residential and light commercial damper applications. Includes an adjustable single-pole, double-throw (spdt) auxiliary switch, a crankarm assembly, and a shaft coupling assembly.

Mounting: Foot-mounted *or* Direct Coupled

Torque:

M836B: 15 lb-in.                      M836A, M436: 20 lb-in.

Stroke: 75°

Power:

M836: 24 Vac                              M436: 120 Vac

Timing:

M836B: 25 sec                              M836A, M436: 30 sec

Temperature Range: 32 to 125°F (0 to 52°C)

See page 16

**M436, M836**



##### **M833 Two-position Actuator**

Bimetal-driven actuator for residential damper applications.

Mounting: Direct Coupled

Torque: 6 lb-in.

Stroke: 90°

Power: 24 Vac

Timing: 18 min

Maximum Temperature:

Cooling applications: 140°F (60°C)

Heating applications: 85°F (29°C)

See page 16



**M833**

##### **M835 Two-position Zone Motor**

Controls the zone or changeover damper in heating or air-conditioning applications.

Mounting: Direct Coupled

Torque: 4 lb-in.

Stroke: 60°

Power: 24 Vac

Maximum Temperature:

Cooling applications: 140°F (60°C)

Heating applications: 200°F (93°C)

Timing:

Opening: 80 sec

Closing: 160 sec

See page 16

**M835**



##### **M842 Two-position Actuator**

Bimetal-driven actuator for damper applications requiring small force.

Mounting: Direct Coupled

Torque: 6 lb-in.

Stroke: 90°

Power: 24 Vac

Timing: 18 min

Temperature Range:

Cooling applications: 140°F (60°C)

Heating applications: 80°F (27°C)

See page 16



**M842**

##### **M847 Two-position Spring Return Draft Actuator**

Actuator to operate the draft damper on solid fuel furnaces or boilers.

Mounting: Foot-mounted

Torque: 30 oz-in.

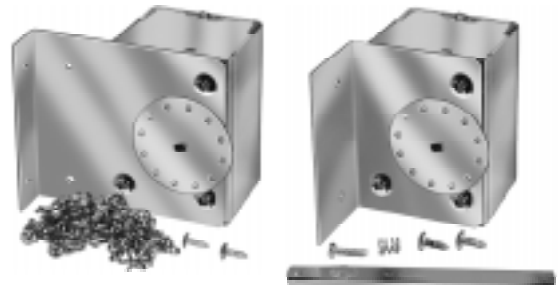
Stroke: 45°

Power: 24 Vac

Timing: 20 sec

Temperature Range: 40 to 125°F (4 to 52°C)

See page 16



**M847**



**M6415, M7405,  
M7415, M8405,  
M8415**

**M6415, M7405, M7415, M8405, M8415 Spring Return Motors**

Provide two-position (M8415), three-position (M8405), floating (M6415), or modulating (M7405, M7415) control of economizer systems, ventilation and combustion air dampers.

Mounting: Foot-mounted  
 Torque: 25 lb-in.                      Stroke: 90°  
 Power: 24 Vac                          Timing: 90 sec  
 Temperature Range: -25 to 125°F (-32 to 52°C)  
 See page 16



**M4185, M4186,  
M8185, M6285,  
M6286**

**M4185, M4186, M8185 Two-Position Spring Return Modutrol IV™ Motors**

Used to operate dampers or valves in applications where spring return upon power failure is necessary or desirable.

Mounting: Foot-mounted  
 Torque: 60 lb-in.  
 Power:  
     M8185: 24 Vac                      M4185/M4186: 120 Vac  
 Temperature Range: -40 to 150°F (-40 to 67°C)  
 Stroke: 90°, 160°, and 90/160° (adjustable) models.  
 Timing:  
     90° stroke: 30 sec                      160° stroke: 60 sec  
 See pages 16, 18

**M6285, M6286 Floating Spring Return Modutrol IV™ Motors**

Three-wire spdt floating control motors with an internal, electrically isolated feedback potentiometer. Use in damper or valve applications when spring return on power failure is necessary.

Mounting: Foot-mounted  
 Torque: 60 lb-in.                      Stroke: 90° and 160° models.  
 Power: 24 Vac  
 Temperature Range: -40 to 150°F (-40 to 67°C)  
 Timing:  
     90° stroke: 30 sec                      160° stroke: 60 sec  
 See pages 16, 18



**M6184, M6194,  
M6284, M6294**

**M6184, M6194 Floating Non-spring Return Modutrol IV™ Motors**

Three-wire spdt floating control motors used with dampers or valves.

Mounting: Foot-mounted  
 Torque:  
     M6184: 150 lb-in.                      M6194: 300 lb-in.  
 Power: 24 Vac  
 Temperature Range: -40 to 150°F (-40 to 67°C)  
 Stroke: 90°, 160°, and 90/160° (adjustable) models.  
 Timing:  
     M6184: 90° stroke: 15 sec and 30 sec models.  
                     160° stroke: 30 sec and 60 sec models.  
     M6194: 90° stroke: 120 sec  
                     160° stroke: 240 sec  
 See pages 17, 20

**M6284, M6294 Floating Non-spring Return Modutrol IV™ Motors**

Three-wire spdt floating control motors with an internal electrically isolated feedback potentiometer. Use with dampers or valves.

Mounting: Foot-mounted  
 Torque:  
     M6284: 150 lb-in.                      M6294: 300 lb-in.  
 Power: 24 Vac  
 Temperature Range: -40 to 150°F (-40 to 67°C)  
 Stroke: 90°, 160°, and 90/160° (adjustable) models.  
 Timing:  
     M6284: 90° stroke: 30 sec                      160° stroke: 60 sec  
     M6294: 90° stroke: 120 sec                      160° stroke: 240 sec  
 See pages 17, 20

*Overview: Foot-mounted and Specialty Damper Actuators*

**M7164 Modulating Non-spring Return Modutrol IV™ Motor**

Proportioning control motors for damper or valve applications with a modulating 10.5 to 13.5 Vdc input.

Mounting: Foot-mounted

Torque: 35 lb-in.                      Stroke: 90°

Power:

M7164A: 24 Vac                      M7164G: 120 Vac

Timing: 30 sec

Temperature Range: -40 to 150°F (-40 to 67°C)

See page 19



**M7164, M7274,  
M7284, M7294,  
M7364, M7384**

**M7274, M7284, M7294 Modulating Non-spring Return Modutrol IV™ Motors**

Proportioning control motors for damper or valve applications with a modulating 2 to 10 Vdc or 4 to 20 mA input.

Mounting: Foot-mounted

Torque:

M7274: 75 lb-in.                      M7284: 150 lb-in.  
M7294: 300 lb-in.

Power: 24 Vac and 120 Vac models.

Stroke: 90° and 160° models.

Temperature Range: -40 to 150°F (-40 to 67°C)

Timing:

M7274: 160° stroke: 60 sec  
M7284: 90° stroke: 30 sec              160° stroke: 60 sec  
M7294: 160° stroke: 120 sec

See pages 19, 20, 21

**M7364, M7384 Modulating Non-spring Return Modutrol IV™ Motors**

Proportioning control motors for damper or valve applications with a W936, or W945 control input.

Mounting: Foot-mounted

Torque:

M7364: 35 lb-in.                      M7384: 150 lb-in.

Stroke:

M7364: 160°                      M7384: 90°

Temperature Range: -40 to 150°F (-40 to 67°C)

Power: 24 Vac and 120 Vac models.

Timing:

90° stroke: 30 sec                      160° stroke: 60 sec

See pages 19, 20

**M7185, M7186 Modulating Spring Return Modutrol IV™ Motor**

Proportioning control motors for damper or valve applications with a modulating 4 to 7 Vdc input.

Mounting: Foot-mounted

Torque: 60 lb-in.

Stroke: 160°

Power: 24 Vac

Timing: 60 sec

Temperature Range: -40 to 150°F (-40 to 67°C)

See page 18



**M7185, M7186,  
M7285, M7286**

**M7285, M7286 Modulating Spring Return Modutrol IV™ Motor**

Proportioning control motors for damper or valve applications with a modulating 2 to 10 Vdc or 4 to 20 mA input.

Mounting: Foot-mounted

Torque: 60 lb-in.

Stroke: 90° and 160° models.

Temperature Range: -40 to 150°F (-40 to 67°C)

Power: 24 Vac and 120 Vac models.

Timing:

90° stroke: 30 sec                      160° stroke: 60 sec

See page 18



**M7385, M7685,  
M9185, M9186**

**M7385, M7685 Modulating Spring Return Modutrol IV™ Motor**

Proportioning control motors for damper or valve applications with a modulating 14 to 17 Vdc or W936 control input.

Mounting: Foot-mounted  
 Torque: 60 lb-in. Stroke: 160°  
 Power: 24 Vac Timing: 60 sec  
 Temperature Range: -40 to 150°F (-40 to 67°C)  
 See page 18

**M9185, M9186 Modulating Spring Return Modutrol IV™ Motor**

Reversing proportioning control motors for damper or valve applications with Series 90 control input.

Mounting: Foot-mounted  
 Torque: 60 lb-in. Stroke: 90° and 160° models.  
 Power: 24 Vac  
 Timing:  
 90° stroke: 30 sec 160° stroke: 60 sec  
 Temperature Range: -40 to 150°F (-40 to 67°C)  
 See pages 16, 18



**M9164, M9174,  
M9184, M9194**

**M9164, M9174, M9184, M9194 Modulating Non-spring Return Modutrol IV™ Motors**

Reversing proportioning control motors for damper or valve applications with Series 90 control input.

Mounting: Foot-mounted  
 Power:  
 M9164: 24, 120, 220, and 240 Vac models.  
 M9174: 24 Vac and 120 Vac models.  
 M9184, M9194: 24 Vac  
 Stroke: 90°, 160°, and 90/160° (adjustable) models.  
 Temperature Range: -40 to 150°F (-40 to 67°C)  
 Torque:  
 M9164: 35 lb-in. M9174: 75 lb-in.  
 M9184: 150 lb-in. M9194: 300 lb-in.  
 Timing:  
 M9164: 90° stroke: 30 sec 160° stroke: 60 sec  
 M9174: 160° stroke: 60 sec  
 M9184: 90° stroke: 15 sec and 30 sec models.  
 160° stroke: 30 sec and 60 sec models.  
 M9194: 90° stroke: 120 sec 160° stroke: 240 sec  
 See pages 17, 19, 20, 21

**Direct Coupled**

**Spring Return**

**ML6175, ML6185, ML6275, ML6285, ML7275, ML7285, ML8175, ML8185, ML9175, ML9185 Spring Return Direct Coupled Actuators**

Designed for control of building HVAC dampers. Suitable for use with two-position (ML8175, ML8185), floating spdt (ML6175, ML6185), floating spdt with an internal feedback potentiometer (ML6275, ML6285), electronic modulating (ML7275, ML7285), or electronic Series 90 (ML9175, ML9185) systems.

Mounting: Direct Coupled

Stroke: 95° Power: 24 Vac

Timing: 88 sec at 60 Hz, 106 sec at 50 Hz

Temperature Range: -30 to 140°F (-34 to 60°C)

Torque:

ML6175, ML6275, ML7275, ML8175, ML9175: 25 lb-in.

ML6185, ML6285, ML7285, ML8185, ML9185: 50 lb-in.

See page 24

**ML6175, ML6185, ML6275, ML6285, ML7275, ML7285, ML8175, ML8185, ML9175, ML9185**



**ML4465, ML8465, ML7475 Spring Return Direct Coupled Actuators**

Designed for control of building Heating Ventilating and Air Conditioning (HVAC) dampers. Suitable for use with two-position spdt (ML4465, ML8465) or electronic modulating (ML7475) systems.

Mounting: Direct Coupled

Torque: 105 lb-in. Stroke: 90°

Power:

ML8465, ML7475: 24 Vac ML4465: 115 Vac

Timing: 70 sec

Temperature Range: -22 to 122°F (-30 to 50°C)

See page 24

**ML4465, ML8465, ML7475**



**ML4195, ML6195, ML6295, ML7295, ML8195 Spring Return Direct Coupled Actuator**

Designed for control of building HVAC dampers. Suitable for use with two-position (ML4195, ML8195), floating spdt (ML6195), floating spdt with an internal feedback potentiometer (ML6295), or electronic modulating (ML7295) systems.

Mounting: Direct Coupled

Torque: 144 lb-in. Stroke: 90°

Timing: 90 sec

Temperature Range: -22 to 130°F (-30 to 54°C)

Power:

ML6195, ML6295, ML7295, ML8195: 24 Vac

ML4195: 115 Vac

See page 25

**ML4195, ML6195, ML6295, ML7295, ML8195**



**Non-Spring Return**



**ML6161**

**ML6161, ML7161 Non-spring Return Direct Coupled Actuators**

Used to control dampers in applications such as Variable Air Volume (VAV) terminal units. Suitable for use with floating spdt (ML6161), or electronic modulating systems (ML7161).

Mounting: Direct Coupled  
 Torque: 35 lb-in. Power: 24 Vac  
 Temperature Range: 32 to 130°F (0 to 54°C)  
 Stroke: Selectable 45°, 60°, and 90° clockwise or counterclockwise.  
 Timing:  
 ML6161: 90 sec, 3 min, and 7 min models.  
 ML7161: 90 sec  
 See page 25



**ML7174**

**ML6174, ML7174 Non-spring Return Direct Coupled Actuators**

Used to control dampers in applications such as VAV terminal units. Suitable for use with floating spdt (ML6174), or electronic modulating systems (ML7174).

Mounting: Direct Coupled  
 Torque: 70 lb-in. Power: 24 Vac  
 Temperature Range: 20 to 125°F (-7 to 52°C)  
 Stroke: Selectable 45°, 60°, and 90° clockwise or counterclockwise.  
 Timing:  
 ML6174: 90 sec, 3 min, and 7 min models.  
 ML7174: 90 sec  
 See page 26



**ML6184, ML6284,  
ML7284, ML9184**

**ML6184, ML6284, ML7284, ML9184 Non-spring Return Direct Coupled Actuators**

Designed for control of building HVAC dampers. Suitable for use with floating spdt (ML6184), floating spdt with an internal feedback potentiometer (ML6284), electronic modulating (ML7284), or electronic Series 90 systems (ML9184).

Mounting: Direct Coupled  
 Torque: 150 lb-in. Stroke: 95°  
 Power: 24 Vac Timing: 92 sec  
 Temperature Range: -20 to 140°F (-29 to 60°C)  
 See page 26



**ML6194, ML6294,  
ML7294, ML9194,**

**ML6194, ML6294, ML7294, ML9194 Non-spring Return Direct Coupled Actuators**

Designed for control of dampers in HVAC applications. Suitable for use with floating spdt (ML6194, ML6294), or electronic modulating (ML7294) or Series 90 systems (ML9194).

Mounting: Direct Coupled  
 Torque: 300 lb-in. Stroke: 95°  
 Power: 24 Vac Timing: 165 sec  
 Temperature Range: -40 to 140°F (-40 to 60°C)  
 See page 26



### Pneumatic

#### MP516 Pneumatic Unit Ventilator Actuator

Sturdy, compact, rolling diaphragm pneumatic damper actuator.

Mounting: Foot mounted  
Stroke: 2-1/4 in. Diaphragm: 11 sq in.  
Available Spring Ranges:  
3-12 psi 4-8 psi  
5-12 psi  
Temperature Range: -20 to 160°F (-29 to 71°C)  
See page 33



MP516

#### MP909A Pneumatic Actuator

Proportionally controls dampers in air terminal units, fan coil units, and unit ventilators. Aluminum body, piston-type, rolling diaphragm pneumatic damper actuator. Recommended for Direct Replacement only. (For new and retrofit, use MP909D).

Mounting: Foot mounted  
Stroke: 3-1/2 in. Diaphragm: 2.82 sq in.  
Available Spring Ranges:  
2-7 psi 3-13 psi  
5-10 psi 7-13 psi  
Temperature Range: -20 to 106°F (-29 to 41°C)  
See page 32



MP909A

#### MP909D Pneumatic Actuator

Provides proportional control of VAV terminal units, mixing boxes and small dampers. Pneumatic damper actuator with aluminum body and barb connector.

Mounting: Foot mounted  
Stroke:  
2.38 in. 3 in.  
Diaphragm: 3 sq in.  
Available Spring Ranges:  
3-8 psi 5-10 psi  
8-13 psi  
Temperature Range: 50 to 140°F (10 to 60°C)  
See page 32

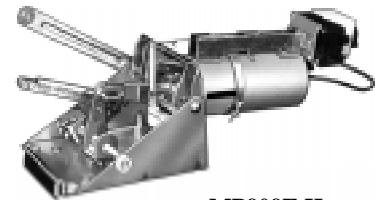


MP909D

#### MP909E and H Pneumatic Actuators

Provide proportional control of dampers, VAV terminal units, and mixing boxes. Models available for use with UL classified leakage rated (smoke) dampers. MP909H includes positive positioner.

Mounting: Trunnion and right angle bracket.  
Stroke:  
3.1 in. 4 in.  
Diaphragm: 6.6 sq in.  
Available Spring Ranges:  
2.5-6.5 psi 3-13 psi  
5-10 psi 9-13 psi  
Temperature Range:  
MP909E: -28 to 160°F (-33 to 71°C)  
MP909H: -20 to 160°F (-29 to 71°C) (limited by positioner)  
See page 32



MP909E,H



**MP913**

**MP913 Pneumatic Actuator**

Provides proportional control of dampers, VAV dampers, and high velocity mixing boxes.

Mounting:

Flat bracket

Angle bracket

No bracket

Stroke: 1 in.

Diaphragm: 2.82 sq in.

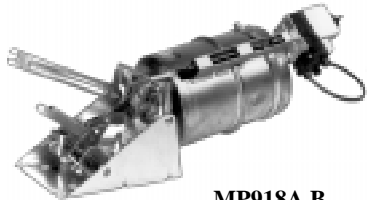
Available Spring Ranges:

5-10 psi

10-15 psi

Temperature Range: 50 to 140°F (10 to 60°C)

See page 32



**MP918A,B**

**MP918A and B Pneumatic Actuators**

Provide proportional control of dampers. Models available for use with UL classified leakage rated (smoke) dampers.

MP918A includes positive positioner.

Mounting: Models available with various types of mounting hardware.

Stroke: 3.5 in.

Diaphragm: 23.8 sq in.

Available Spring Ranges:

3-7 psi

3-13 psi

5-10 psi

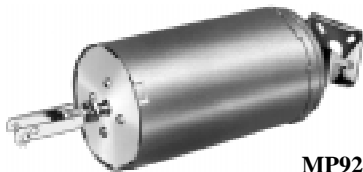
8-13 psi

Temperature Range:

MP918A: -20 to 160°F (-29 to 71°C)

MP918B: -40 to 160°F (-40 to 71°C)

See page 33



**MP920**

**MP920 Pneumatic Actuator**

Suitable for fan inlet vane control applications in a VAV system. Includes positive positioner.

Mounting: Swivel mount from either end to a pipe, floor, or wall surface.

Stroke: 6 in.

Diaphragm: 24.8 sq in.

Spring Range: 7-13 psi

Temperature Range: -20 to 158°F (-29 to 70°C)

See page 33

## For Valves Electric/Electronic

### V2045 Non-spring Return Direct Coupled Actuator

Provides two-position control of the V5045 Valve. Can be operated manually.

Mounting: Direct Coupled

Power: 24 Vac

Stroke: 1/4 to 3/8 in.

See page 27

Temperature Range: 32 to 125°F (0 to 52°C)

V5045



### M6410, M7410 Non-spring Return Direct Coupled Actuators

Used to control V5852, V5853, V5862, and V5863 Valves. Suitable for use with floating spdt (M6410), or electronic modulating systems (M7410).

Mounting: Direct Coupled

Stem Force: 40.5 lb

Power: 24 Vac

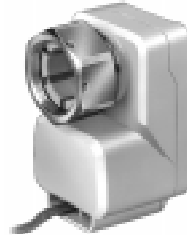
Temperature Range: 32 to 140°F (0 to 60°C)

Stroke: 1/4 in.

Timing: 125 seconds

See page 27

M6410



M7410



### ML684, ML7984 Non-spring Return Direct Coupled Actuators

Used to control V5011 or V5013 Valves. Suitable for use with electronic modulating (ML7984 only), two-position, floating spdt, or Series 90 systems.

Mounting: Direct Coupled

Stem Force: 160 lb

Power: 24 Vac

Temperature Range: 32 to 130°F (0 to 54°C)

Stroke: Up to 3/4 in.

Timing: 60 seconds

See page 27

ML684, ML7984



### ML6421, ML7421 Non-spring Return Direct Coupled Actuators

Used to control standard Honeywell valves in HVAC applications. Suitable for use with two-position or floating spdt (ML6421) or electronic modulating systems (ML7421). Can be operated manually.

Mounting: Direct Coupled

Stem Force: 405 lb

Power: 24 Vac

Stroke:

ML6421A, ML7421A: 3/4 in.

ML6421B, ML7421B: 1-1/2 in.

Timing:

ML6421A, ML7421A: 95 seconds

ML6421B, ML7421B: 175 seconds

Temperature Range: 14 to 122°F (-10 to 50°C)

See page 27

ML6421, ML7421



### ML6425, ML7425 Spring Return Direct Coupled Actuators

Used to control standard Honeywell valves in HVAC applications. Suitable for use with two-position or floating spdt (ML6421) or electronic modulating systems (ML7421).

Mounting: Direct Coupled

Stem Force: 135 lb

Power: 24 Vac

Stroke: 3/4 in.

Timing: 90 seconds

Temperature Range: 14 to 122°F (-10 to 50°C)

See page 27

ML6425, ML7425





**MP953C**  
**Without Positioner**

**MP953F**  
**With Positioner**



**MP958**

## **Pneumatic**

### **MP953 Pneumatic Direct Coupled Actuator**

Sturdy rolling diaphragm pneumatic valve actuator. Available with or without positive positioner.

Mounting: Direct Coupled

Stroke: 3/4 or 1-1/2 in.

Diaphragm:

MP953C, E: 5, 8, or 13 sq in.

MP953D, F: 7-1/8 sq in.

Available Spring Ranges:

MP953C, D: 2 – 7, 4 – 11, or 8 – 12 psi

MP953E, F: 3, 5, or 10 psi span

Action:

MP953C, E: Direct acting

MP953D, F: Reverse acting

Temperature Range: 0 to 140°F (0 to 60°C)

See page 34

### **MP958 Pneumatic Direct Acting Direct Coupled Actuator**

Pneumatic actuator for use with V5852, V5862, V5853, and V5863 Valves.

Mounting: Direct Coupled

Maximum Diaphragm Temperature: 250°F (121°C)

Available Spring Ranges:

2-5 psi

3-10 psi

8-11 psi

See page 34

# MODUTROL IV MOTOR ORDER NUMBER GUIDE

OUTPUT DRIVE			
ROTATION	ACTION		SHAFT
4	NON-SPRING RETURN		DUAL-ENDED SHAFT
5	SPRING RETURN		
6	N.O.		SINGLE-ENDED SHAFT
1	NON-SPRING RETURN		
2	N.C.		
3	N.O.		

# M9184D1021

<b>SPECIFICATION NUMBER</b>
FURTHER IDENTIFIES MOTOR

CONTROL SERIES (FIRST TWO DIGITS)	
41	SERIES 40, TWO-POSITION, LINE VOLTAGE
61	SERIES 60, FLOATING CONTROL
62	SERIES 60, FLOATING WITH FEEDBACK POTENTIOMETER
71	4-7, 6-9, 10.5-13.5 VDC CONTROL
72	4-20 MA OR 2-10 VDC CONTROL
73	W936 CONTROL
76	14-17 VDC WITH MINIMUM POSITION
79	SPECIALS
81	SERIES 80, TWO-POSITION, LOW VOLTAGE
91	SERIES 90, PROPORTIONING CONTROL
94	PROPORTIONAL FLAME SAFEGUARD FIRING RATE MOTOR

TORQUE DESIGNATION		
TORQUE		
	SPRING RETURN	NON-SPRING RETURN
6		35 LB-IN.
7	25 LB-IN.	75 LB-IN.
8	60 LB-IN.	150 LB-IN.
9		300 LB-IN.

SUFFIX LETTER						
APPLIES TO ALL MODELS EXCEPT SERIES 79						
NUMBER OF AUX. SWITCHES			SPECIAL FUNCTION	STROKE	ELECTRICAL ROTATION	
1	2	3			FIXED	N.C.
A	B	C	STANDARD	FIXED		
—	—	Q	ADJ. ZERO AND SPAN			
D	E	F	STANDARD	ADJUSTABLE	N.O.	
G	H	J	STANDARD	FIXED		
K	L	M	STANDARD	ADJUSTABLE		

△ MODEL NUMBERS IN THE SHADED AREAS ARE AVAILABLE SPECIAL ORDER ONLY. CONTACT YOUR HONEYWELL SALES REPRESENTATIVE.

M11574

# DIRECT COUPLED ACTUATOR ORDER NUMBER GUIDE

Designed for easier identification of product, the Honeywell Direct Coupled Actuator numbering system fully identifies and describes the motor model.

OUTPUT DRIVE	
1	NON-SPRING RETURN
4	
5	SPRING RETURN

<b>SPECIFIC MODEL EXTENSION</b>
FURTHER IDENTIFIES MOTOR; FOR EXAMPLE: 2XXX = INDICATES INTEGRATED DECLUTCH

# ML7285D1004

CONTROL SERIES (FIRST TWO DIGITS)	
41,44	SERIES 40, TWO-POSITION, LINE VOLTAGE
61	SERIES 60, FLOATING CONTROL
62	SERIES 60, FLOATING WITH FEEDBACK POTENTIOMETER
71	2-10 Vdc, AND 4-20 mA
72	2-10 Vdc, 0-10 Vdc, OR 4-20 mA WITH FEEDBACK
74	2-10 Vdc OR 0-10 Vdc,
81,84	SERIES 80, TWO-POSITION, LOW VOLTAGE
91	SERIES 90, PROPORTIONING CONTROL

TORQUE		
	SPRING RETURN	NON-SPRING RETURN
6	105 LB-IN. <sup>a</sup>	35 LB-IN.
7	25 LB-IN.	70 LB-IN.
8	50 LB-IN.	150 LB-IN.
9	144 LB-IN. <sup>b</sup>	300 LB-IN.

SUFFIX LETTER							ADDED FEATURES
B	A <sup>c</sup>	C <sup>c</sup>	D				
A	C	D	F			H	
X	X					X	AUXILIARY SWITCH
	X	X					TIMEOUT
						X	ADJ. ZERO AND SPAN
					X	X	CONDUIT CONNECTOR

<sup>a</sup> ALL ACTUATORS WITH 105 LB-IN. TORQUE ARE STANDARD (NO EXTRA FEATURES).

<sup>b</sup> ALL ACTUATORS WITH 144 LB-IN. TORQUE HAVE CONDUIT CONNECTIONS AS A STANDARD FEATURE.

<sup>c</sup> THESE MODELS ALSO HAVE AN OUTPUT FOR A FEEDBACK POTENTIOMETER.

M11575

## CALCULATING TORQUE REQUIREMENTS

See Appendices A and B to determine the minimum torque requirements for your damper application.

Appendix A: Determining damper actuator torque requirements, including tables for Honeywell dampers.

Appendix B: Determining damper actuator torque requirements when using a non-Honeywell damper.

NOTE: If you require torque information for valve actuator sizing, refer to the Honeywell Valve Selection Guide, form 63-8038.

### Things to Think About When Selecting a Damper Actuator

Actuator torque is standard; for example, compare two foot-mounted actuators from different manufacturers. If they are both rated for 50 pound-inches of torque at the same temperature, they both provide 50 pound-inches of torque.

NOTE: Damper actuator torque requirements in Appendix A resulted from Honeywell Inc. testing and apply only to the Honeywell Inc. dampers listed. Damper torque requirements in Appendix B follow industry averages of manufacturers' published figures and can be used as a guide.

#### **IMPORTANT**

*Whenever possible, refer to the manufacturers' published specifications for size and torque requirements.*

## ELECTRIC/ELECTRONIC ACTUATORS

### Foot-Mounted Actuators

Tables 1 through 6 provide listings for foot-mounted actuators with torque ratings ranging from less than 25 lb-in. through 300 lb-in. Fourteen TRADELINE® Modutrol™ IV Motors and accessories can be configured to replace all previous Honeywell Modutrol® motors and most OEM Modutrol motors. These motors are listed in Tables 2 and 3 and in italicized type in Tables 4 through 6. See the Modutrol IV Motor Order Number Guide for a breakdown of the Modutrol IV Motor part numbering system.

### Foot-Mounted Actuator Accessories

Table 7 lists the accessories for the foot-mounted actuators listed in Tables 1 through 6.

### Direct Coupled Actuators

Direct coupled damper actuators connect directly to the damper shaft and need no linkages or connecting accessories.

Table 8 lists the spring return direct coupled damper actuators and Table 9 lists the non-spring return direct coupled damper actuators. Direct coupled valve actuators are listed in Table 10.

### Direct Coupled Actuator Accessories

Table 11 lists accessories available for direct coupled actuators.

## PNEUMATIC ACTUATORS

Pneumatic actuators provide proportional control of air, steam or hot or cold liquids in HVAC systems by controlling dampers or valves. Table 12 lists pneumatic damper actuators. Table 13 lists pneumatic valve actuators. Table 14 lists pneumatic actuator accessories.

**TABLE 1. LOW TORQUE/SPECIALTY (UP TO 25 LB-IN) SPRING RETURN FOOT-MOUNTED ACTUATORS.**

Torque (lb-in.)	Power (volts)	Stroke (degrees)	Timing (sec)	CONTROL SIGNAL					Model	Comments
				On/Off spst	Floating spdt	4 to 20 mA	2 to 10 Vdc	6 to 9 Vdc		
30 oz-in.	24 Vac	45	20	■					M847A1072	Arm linkage (3.8 in.)
										M847A1080
4		60	80	■					M835A1051	—
6		90	18 min	■					M833A1007	Heat actuated, direct coupled
										M842A1008
15		75	25	■					M836B1033	Can be mounted as direct coupled
20	120 Vac		30	■					M436A1116	
	240 Vac			■					M436A1124	
25	24 Vac	90	90		■				M6415A1016 <sup>a</sup>	Spring return cw.
					b	c	d	e	M7405A1016 <sup>a</sup>	Spring return cw.
									M7415A1006 <sup>a</sup>	Spring return cw.
									M7415B1004 <sup>a</sup>	Spring return ccw.
				f					M8405A1006 <sup>a</sup>	Spring return cw.
				■					M8415A1004 <sup>a</sup>	

■ Primary interface, no additional components needed.

<sup>a</sup> Economizers available.

**OPTIONAL ACCESSORIES:**

- <sup>b</sup> Sensor-controller floating motor.
- <sup>c</sup> Use Q769B 4-20 mA adapter.
- <sup>d</sup> Use Q769C 0-10 Vdc adapter or 2-10 Vdc adjustable adapter.
- <sup>e</sup> Use Q769A 6-9 Vdc adapter.
- <sup>f</sup> Three-position, with field-adjustable minimum position control.

**TABLE 2. TRADELINE® MODUTROL IV™ SPRING RETURN FOOT-MOUNTED ACTUATORS.**

Torque (lb-in.)	Power (volts)	Control Mode	Stroke (degrees)	Timing (sec)	Adapter Bracket	CONTROL SIGNAL										Modutrol IV OS Number	Comments		
						On/Off spst	Floating spdt	135 ohm	4 to 20 mA	2 to 10 Vdc	4 to 7 Vdc	6 to 9 Vdc	10.5 to 13.5 Vdc	14 to 17 Vdc	W936				
25	24	Series 90	90/160	30/60	Yes			■	ab	a	c	c	c	d	e	M9175D1014	—		
60		Series 62	90	30			■										M6285A1013	With auxiliary feedback potentiometer.	
			160	60			■										M6285A1005		
		Series 80	90/160	30/60			■											M8185D1006	—
		Series 90							■	ab	a	c	c	c	d	e	M9185D1004		

■ Primary interface, no additional hardware required.

**OPTIONAL ACCESSORIES:**

- <sup>a</sup> Use Q7230A1005 Interface Module (4 to 20 mA or 2 to 10 Vdc).
- <sup>b</sup> Use 4074EED Resistor Kit or 221508A Resistor Board.
- <sup>c</sup> Use Q7130A1006 Interface Module (4-7, 6-9, 10.5-13.5 Vdc).
- <sup>d</sup> Use Q7630A1001 Interface Module (14-17 Vdc).
- <sup>e</sup> Use Q7330A1004 Interface Module (W936 Control).

TABLE 3. TRADELINE® MODUTROL IV™ NON-SPRING RETURN FOOT-MOUNTED ACTUATORS.

Torque (lb-in.)	Power (volts)	Control Mode	Stroke (degrees)	Timing (sec)	220738A Adapter Bracket	CONTROL SIGNAL										Tradeline® Modutrol IV OS Number	Comments					
						On/Off spst	Floating spdt	135 ohm	4 to 20 mA	2 to 10 Vdc	4 to 7 Vdc	6 to 9 Vdc	10.5 to 13.5 Vdc	14 to 17 Vdc	W936							
35	24	Series 90	90/160	30/60	Yes			■	ab	a	c	c	c	d	e	M9164D1009	—					
75								■	ab	a	c	c	c	d	e	M9174D1007						
150		Series 60					■												M6184D1035			
		Series 62					■												M6284D1000	With auxiliary feedback potentiometer.		
		Series 90					■	ab	a	c	c	c	d	e	M9184D1013	—						
																		M9184D1021	Tapped auxiliary shaft.			
300		Series 60					120/240				■									M6194D1017	—	
		Series 62								■											M6294D1008	With auxiliary feedback potentiometer.
											■	ab	a	c	c	c	d	e	M9194D1003	—		
		Series 90																				

■ Primary interface, no additional hardware required.

**OPTIONAL ACCESSORIES:**

- a Use Q7230A1005 Interface Module (4 to 20 mA or 2 to 10 Vdc).
- b Use 4074EED Resistor Kit or 221508A Resistor Board.
- c Use Q7130A1006 Interface Module (4-7, 6-9, 10.5-13.5 Vdc).
- d Use Q7630A1001 Interface Module (14-17 Vdc).
- e Use Q7330A1004 Interface Module (W936 Control).



# MOTOR/ACTUATOR SELECTION GUIDE

## Foot-Mounted/Specialty Actuators

NOTE: Fourteen TRADELINE® Modutrol IV™ Motors and accessories can be configured to replace all previous Honeywell Modutrol® Motors, and most OEM Modutrol Motors. These motors are listed in italicized type in Table 4 and in Tables 5 and 6.

**TABLE 4. 25-60 LB-IN. SPRING RETURN FOOT-MOUNTED MODUTROL IV ACTUATORS.**

Torque (lb-in.)	Power (volts)	Control Mode	Stroke (degrees)	Timing (sec)	Aux Switch	220738A Adapter Bracket	CONTROL SIGNAL										Modutrol IV OS Number	Comments																																	
							On/Off spst	Floating spst	135 ohm	4 to 20 mA	2 to 10 Vdc	4 to 7 Vdc	6 to 9 Vdc	10.5 to 13.5 Vdc	14 to 17 Vdc	W936																																			
25	24	Series 90	90/160	30/60	—	Yes	■		■	ab	a	c	c	c	d	e	M9175D1014	TRADELINER®																																	
	No							■	ab	a	c	c	c	d	e	M9175D1006	—																																		
60	24	Series 80	90/160	30/60	—	Yes	■										M8185D1006	TRADELINER®																																	
							No	■										M8185A1002	—																																
		Series 62	90	30	Yes		■											M6285A1013	TRADELINER® with auxiliary feedback potentiometer.																																
						160	60		■									M6285A1005																																	
		—	2	No				■													M6286G1001	Normally open, with auxiliary feedback potentiometer.																													
																							■												M6285C1001	With auxiliary feedback potentiometer.															
		Series 90	90	30	—	No			■	ab	a	c	c	c	c	d	e					M9185A1026	—																												
																								90/160	30/60	—	Yes		■	ab	a	c	c	c	c	d	e	M9185D1004	TRADELINER®												
		—	1	No					■	ab	a	c	c	c	c	d	e						M9185E1019	—																											
																									160	60	—			■	ab	a	c	c	c	d	e	M9185A1018													
		—	2						■	ab	a	c	c	c	c	d	e						M9186G1006	Normally open.																											
																												■	ab	a	c	c	c	d	e	M9185C1006	—														
	2-10 Vdc	—								■													M7285A1045	—																											
																																					M7286G1009	Normally open.													
	4-7 Vdc	—									■												M7185A1004	—																											
																																					M7186G1000	Normally open.													
	14-17 Vdc	—													■								M7685A1009	—																											
	W936	—														■							M7385A1010	W936, W945 Control.																											
	120	Series 40	160	60	60	—	No	■															M4185A1001	—																											
																									1	■																									
4-20 mA		90	30	30	—	2					■													M7285A1003	With screw terminals.																										
Multi Series 40	90	30	30	1			■																M4185B1058	—																											

■ Primary interface, no additional hardware required.

**OPTIONAL ACCESSORIES:**

- a Use Q7230A1005 Interface Module (4 to 20 mA or 2 to 10 Vdc).
- b Use 4074EED Resistor Kit or 221508A Resistor Board.
- c Use Q7130A1006 Interface Module (4-7, 6-9, 10.5-13.5 Vdc).
- d Use Q7630A1001 Interface Module (14-17 Vdc).
- e Use Q7330A1004 Interface Module (W936 Control).

NOTE: Fourteen TRADELINE® Modutrol IV™ Motors and accessories can be configured to replace all previous Honeywell Modutrol® Motors, and most OEM Modutrol Motors. These motors are listed in italicized type in Table 5 and in Tables 4 and 6.

**TABLE 5. 35-75 LB-IN. NON-SPRING RETURN FOOT-MOUNTED MODUTROL IV ACTUATORS.**

Torque (lb-in.)	Power (volts)	Control Mode	Stroke (degrees)	Timing (sec)	Aux Switch	220738A Adapter Bracket	CONTROL SIGNAL										Modutrol IV OS Number	Comments	
							On/Off spst	Floating spdt	135 ohm	4 to 20 mA	2 to 10 Vdc	4 to 7 Vdc	6 to 9 Vdc	10.5 to 13.5 Vdc	14 to 17 Vdc	W936			
35	24	10.5-13.5V	90	30	—	No								■			M7164A1017	—	
		Series 90					90/160	30/60				■	ab	a	c	c	c	d	e
				160	60		Yes			■	ab	a	c	c	c	d	e	<i>M9164D1009</i>	TRADELINE®
			W936			2	No			■	ab	a	c	c	c	d	e	M9164A1070	—
										■	ab	a	c	c	c	d	e	M9164C1001	
							—										■	M7364A1023	
																	■	M7364A1023	W936, W945 Control.
	120	Series 90	90	30	—	No			■	ab	a	c	c	c	d	e	M9164A1005	—	
									■	ab	a	c	c	c	d	e	M9164C1068		
				160	60				■	ab	a	c	c	c	d	e	M9164A1021		
						2				■	ab	a	c	c	c	d	e	M9164C1050	
			W936	90	30	—											■	M7164G1030	Normally open.
																			■
		220	Series 90	160	60				■	ab	a	c	c	c	d	e	M9164A1088	—	
240										■	ab	a	c	c	c	d	e	M9164A1013	
75	24	Series 90	90/160	30/60	—	Yes			■	ab	a	c	c	c	d	e	<i>M9174D1007</i>	TRADELINE®	
		2-10 Vdc	160	60		No					■						M7274A1006	—	
	120	Series 90	90	30	1				■	ab	a	c	c	c	d	e	M9174B1027		
					2				■	ab	a	c	c	c	d	e	M9174C1025		
		160	60	1					■	ab	a	c	c	c	d	e	M9174B1043		
				2						■	ab	a	c	c	c	d	e	M9174C1033	

■ Primary interface, no additional hardware required.

**OPTIONAL ACCESSORIES:**

- a Use Q7230A1005 Interface Module (4 to 20 mA or 2 to 10 Vdc).
- b Use 4074EED Resistor Kit or 221508A Resistor Board.
- c Use Q7130A1006 Interface Module (4-7, 6-9, 10.5-13.5 Vdc).
- d Use Q7630A1001 Interface Module (14-17 Vdc).
- e Use Q7330A1004 Interface Module (W936 Control).

# MOTOR/ACTUATOR SELECTION GUIDE

## Foot-Mounted/Specialty Actuators

NOTE: Fourteen TRADELINE® Modutrol IV™ Motors and accessories can be configured to replace all previous Honeywell Modutrol® Motors, and most OEM Modutrol Motors. These motors are listed in italicized type in Table 6 and in Tables 4 and 5.

**TABLE 6. 150-300 LB-IN. NON-SPRING RETURN FOOT-MOUNTED MODUTROL IV ACTUATORS.**

Torque (lb-in.)	Power (volts)	Control Mode	Stroke (degrees)	Timing (sec)	Aux Switch	220738A Adapter Bracket	CONTROL SIGNAL										Modutrol IV OS Number	Comments					
							On/Off spst	Floating spdt	135 ohm	4 to 20 mA	2 to 10 Vdc	4 to 7 Vdc	6 to 9 Vdc	10.5 to 13.5 Vdc	14 to 17 Vdc	W936							
150	24	Series 60	90	30	—	No		■									M6184A1015	—					
				15/30				■									M6184D1001						
			90/160	30/60		Yes		■											M6184D1035	TRADELINER			
						2	No		■											M6184F1014	—		
			Series 62	90		30	—	Yes		■											M6284D1000	TRADELINER with auxiliary feedback potentiometer.	
						15/30	2	No		■											M6284F1013	With auxiliary feedback potentiometer.	
		Series 90	90	30	—	2	No			■	ab	a	c	c	c	d	e		M9184A1035	—			
										■	ab	a	c	c	c	d	e		M9184C1031	—			
			90/160	15/30	—	2	Yes			■	ab	a	c	c	c	d	e		M9184D1005	—			
										■	ab	a	c	c	c	d	e		M9184D1013	TRADELINER			
				30/60	—	2	No			■	ab	a	c	c	c	d	e		M9184D1021	TRADELINER tapped auxiliary shaft.			
									■	ab	a	c	c	c	d	e		M9184F1000	—				
						—				■	ab	a	c	c	c	d	e		M9184F1034	Tapped auxiliary shaft.			
										■	ab	a	c	c	c	d	e		M9184A1019	—			
			2-10 Vdc									■							M7284A1079	—			
			W936	90	30												■		M7384A1011	W936, W945 Control.			
		120		Series 60	160	30	—	No		■										M6184A1023	—		
						30				■												M6284A1055	—
Series 62	160			60		■															M6284A1048	With auxiliary feedback potentiometer.	
4-20 mA	90			30	2							■										M7284A1004	With screw terminals.
	160			60	—																	M7284Q1009	With screw terminals, adjustable null/span.
						2						■										M7284C1018	—
						—																M7284Q1017	With screw terminals, adjustable null/span.

continued on next page

**TABLE 6. 150-300 LB-IN. NON-SPRING RETURN FOOT-MOUNTED MODUTROL IV ACTUATORS (Continued).**

Torque (lb-in.)	Power (volts)	Control Mode	Stroke (degrees)	Timing (sec)	Aux Switch	220738A Adapter Bracket	CONTROL SIGNAL										Modutrol IV OS Number	Comments		
							On/Off spst	Floating spdt	135 ohm	4 to 20 mA	2 to 10 Vdc	4 to 7 Vdc	6 to 9 Vdc	10.5 to 13.5 Vdc	14 to 17 Vdc	W936				
300	24	Series 60	90/160	120/240	—	Yes		■									M6194D1017	TRADELINE®		
					1	No		■										M6194E1006	—	
		Series 62			—	Yes		■											M6294D1008	TRADELINE®, with auxiliary feedback potentiometer.
		Series 90						■	a,b	a	c	c	c	d	e	M9194D1003	TRADELINE®			
		1			No		■	a,b	a	c	c	c	d	e	M9194E1000	—				
		2-10 Vdc	160	120	—					■						M7294A1010				
																	M7294G1009	Normally open.		

■ Primary interface, no additional hardware required.

**OPTIONAL ACCESSORIES:**

- a Use Q7230A1005 Interface Module (4 to 20 mA or 2 to 10 Vdc).
- b Use 4074EED Resistor Kit or 221508A Resistor Board.
- c Use Q7130A1006 Interface Module (4-7, 6-9, 10.5-13.5 Vdc).
- d Use Q7630A1001 Interface Module (14-17 Vdc).
- e Use Q7330A1004 Interface Module (W936 Control).

**TABLE 7. FOOT-MOUNTED ACTUATOR ACCESSORIES.**

<b>Description</b>	<b>Part Number</b>	<b>Application Comments</b>
Adapter, 0-10 Vdc/2-10 Vdc adjustable	Q769C	M7405, M7415 Motors.
Adapter, 4-20 mA	Q769B	
Adapter, 6-9 Vdc	Q769A	
Auxiliary switch kit, 1 switch	203762A	Modutrol IV TRADELINE Motors.
Auxiliary switch kit, 2 switches	203762B	
Auxiliary switch, 1 spst	220736A	Modutrol Motors (requires 220738A to use Mod IV Motor).
Auxiliary switch, 2 spst	220736B	
Ball joint	27518	5/16 inch rod.
Bracket, adapter	220738A	for Mod IV Motors to match Mod III shaft height.
Bracket, adapter, bag assembly	7640JN	M833, M842, M436, M836 Motors.
Bracket, DR/ZR valve, Modutrol Motor	7640QY	Modutrol Motors.
Bracket, external damper mount	101662A	Series 90 Modutrol Motors.
Bracket, mounting	198545	M833, M842, M436, M836 Motors.
Bracket, mounting, bag assembly	7640JM	
Coupling	7617DM	Explosion Proof Housings.
Crank arm adapter	220767A	Drive two dampers with one crank arm (requires 220738A to use with Mod IV Motor).
Crank arm assembly	4074EGR	M6415, M7405, M7415, M8405, M8415 Motors.
Crank arm drive, bag assembly	7640JL	M833, M842, M436, M836 Motors.
Crank arm, adjustable	7617ADW	Dampers (requires 220738A to use with Mod IV Motor).
Crank arm, heavy duty	4074EQE	Dampers, 300 lb-in. motors (requires 220738A to use with Mod IV Motor).
Crank arm, infinitely adjustable	221455A	Dampers (requires 220738A to use with Mod IV Motor).
Direct drive, bag assembly	7640JE	M833, M842, M436, M836 Motors.
Economizer™ adapter kit	203977A	Modutrol IV Motors with W859 Economizer.
Economizer™ control	W957	Series 90 Modutrol IV (requires 203977A).
Economizer™ logic modules, solid state	W6210A,D; W7210A,D	Series 62 and 72 Modutrol IV Motors.
Economizer™ logic module, solid state	W7459	M7405, M7415, M8405, M8415 Motors.
Enclosure, terminal	7640QF	
Housing, explosion proof	ES-650-117	Modutrol IV Motors (requires 220738A).
Housing, explosion proof	ES-650-118	Modutrol IV Motors with ext. aux switches (requires 220738A).
Interface module, 2-10 Vdc/4-20 mA	Q7230A1005	Series 90 Motor.
Interface module, 4-7, 6-9, 10.5-13.5 Vdc	Q7130A1006	
Interface module, 14-17 Vdc with min pos	Q7630A1001	
Interface module, W936 Control Interface	Q7330A1004	
Linkage	Q298	M833, M842, M436, M836 Motors.
Linkage, two damper	Q298B	M6415, M7405, M7415, M8405, M8415 Motors.
Linkage, valve	Q100A1007	V51B Valve 1-1/2 to 2 inch (requires 220738A to use with Mod IV Motor).
Linkage, valve	Q100A1015	V51B Valve 2-1/2 to 3 inch (requires 220738A to use with Mod IV Motor).
Linkage, valve	Q100A1023	V51B Valve 4 inch (requires 220738A to use with Mod IV Motor).

*continued on next page*

**TABLE 7. FOOT-MOUNTED ACTUATOR ACCESSORIES (Continued).**

<b>Description</b>	<b>Part Number</b>	<b>Application Comments</b>
Linkage, valve, 80/160 lb, 1-3/8 in. bonnet	Q5001D1000	V5011, V5013 Valves, 3/4 in. stroke (other strokes available with custom cams).
Linkage, valve, 160/320 lb, 1-3/8 in. bonnet	Q5001D1018	
Linkage, valve, 160/320 lb, 1-7/8 in. bonnet	Q5001D1026	
Potentiometer, auxiliary	Q181A1072	Series 90 Motor, does not include cover.
Potentiometer, auxiliary (one)	Q181A1007	Series 90 Motor, includes cover.
Potentiometers, auxiliary (two)	Q181A1015	
Potentiometers, auxiliary (three)	Q181A1064	
Potentiometer, auxiliary, (34.5 ohms)	Q68B1039	Series 90 Motor.
Potentiometer, auxiliary, (58.0 ohms)	Q68B1013	
Potentiometer, auxiliary, (86.0 ohms)	Q68B1005	
Potentiometer, manual, (135 ohms)	S443A1007	Remote manual control of Series 90 Motor.
Potentiometer, min pos, cover mount (135 ohms)	Q209E1002	Series 90 Modutrol IV Motor.
Potentiometer, min pos, cover mount (270 ohms)	Q209E1010	
Potentiometer, min pos, ext (135 ohms)	S963B1128	Series 90 Motor.
Potentiometer, min pos, int (135 ohms)	Q209F1001	Series 90 Modutrol IV Motor.
Potentiometer, min pos, int (270 ohms)	Q209F1019	
Potentiometer, min pos, motor mounted	Q709A	M6415, M7405, M7415, M8405, M8415 Motors.
Potentiometer, min pos, remote, (270 ohms)	S963B1136	M6415, M7405, M7415, M8405, M8415, and Series 90 Motors.
Potentiometer, remote manual, (135 ohms)	112894FD	Series 90 Motor.
Potentiometer, remote manual, (270 ohms)	112894FB	
Potentiometer, remote manual, (270 ohms)	112894FE	
Potentiometer, remote manual, (72 ohms)	112894FE	
Q607 mounting, bag assembly	4074BRU	M833, M842, M436, M836 Motors.
Resistor board	221508A	Includes 4074BYK, 4074EAU, 4074EDC, 4074EED.
Resistor kit, 4-20 mA	4074EDC	One Series 90 Motor from 4 to 20 mA Controller.
Resistor kit, 4-20 mA	4074EED	1 to 4 Series 90 Motors from 4 to 20 mA Controller.
Resistor kit, Series 90	4074BYK	2-6 Series 90 Motors in Unison.
Resistor kit, W973	4074EAU	2-3 Series 90 Motors from W973.
Screw terminal adapter	220741A	Modutrol IV Motor.
Screw terminal adapter	4074EHB	M6415, M7405, M7415, M8405, M8415 Motors.
Sensor, discharge air	C7046A	
Sensor, enthalpy, solid state	C7400	
Sensor, mixed or discharge air	C7150B1004	
Switch, aux	4074EKV	M6416, M7405, M7415, M8405, M8415 Motors.
Transformer, 120 Vac, 50/60 Hz	198162EA	Modutrol IV Motor (internal mount).
Transformer, 120/208/240 Vac, 50/60 Hz	198162AA	
Transformer, 220 Vac, 50/60 Hz	198162GA	
Transformer, 24 Vac, 50/60 Hz, isolation	198162JA	
Weatherproofing kit, NEMA 4	4074ERU	Modutrol IV Motor.

**MOTOR/ACTUATOR SELECTION GUIDE**

*Direct Coupled Actuators*

**TABLE 8. 25-144 LB-IN. SPRING RETURN DIRECT COUPLED ACTUATORS.**

NOTE: All models include 1m cable.

Torque (lb-in.)	Power (Vac)	Control Mode	Stroke (degrees)	Timing (sec)	Auxiliary Switch	CONTROL SIGNAL					OS Number	Comments					
						On/Off spst	Floating spdt	4 to 20 mA	2 to 10 Vdc	135 ohms <sup>a</sup>							
25	24	Series 80	95	88/106		■					ML8175A1009	—					
											ML8175D1006	Timeout.					
					2	■					ML8175C1007	2 aux switches.					
											ML8175F1004	Timeout; 2 aux switches; 1m cable.					
					Series 60					■				ML6175A1001	—		
													ML6175D1008	Timeout.			
		2								■			ML6175C1009	2 aux switches.			
														ML6175F1006	Timeout; 2 aux switches.		
					Series 62						■			ML6275A1009	500 ohm feedback.		
														ML6275D1006	500 ohm feedback; timeout.		
		2								■				ML6275C1007	500 ohm feedback; 2 aux switches.		
															ML6275F1004	500 ohm feedback; timeout; 2 aux switches.	
					Series 70									■	ML7275A1008	—	
														■	ML7275D1005	Timeout.	
												■			ML7275D1013	Timeout.	
		2											■		ML7275C1006	2 aux cable.	
													■		ML7275F1003	Timeout; 2 aux switches.	
														■	ML7275F1011	Timeout; 2 aux switches.	
						Series 90									■	ML9175A1008	—
															■	ML9175D1005	Timeout.
2										■	ML9175C1006	2 aux switches.					
										■	ML9175F1003	Timeout; 2 aux switches.					
50	24	Series 80	95	88/106		■					ML8185A1008	—					
													ML8185D1005	Timeout.			
					2	■							ML8185C1006	2 aux switches.			
														ML8185F1003	Timeout; 2 aux switches.		
					Series 60					■				ML6185A1000	—		
														ML6185D1007	Timeout.		
		2								■				ML6185C1008	2 aux switches.		
														ML6185F1007	Timeout; 2 aux switches.		
					Series 62						■			ML6285A1008	500 ohm feedback.		
														ML6285D1007	Timeout; 500 ohm feedback.		
		2								■				ML6285C1006	500 ohm feedback; 2 aux switches.		
														ML6285F1003	Timeout; 2 aux switches; 500 ohm feedback.		
					Series 70									■	ML7285A1007	—	
															ML7285D1004	Timeout.	
												■			ML7285D1012	Timeout.	
		2											■		ML7285C1005	2 aux switches.	
		2											■		ML7285F1002	Timeout; 2 aux switches.	
		2											■		ML7285F1010	Timeout; 2 aux switches.	
						Series 90									■	ML9185A1007	—
															■	ML9185D1020	Timeout.
2										■	ML9185C1005	2 aux switches.					
										■	ML9185F1002	2 aux switches; timeout.					
105	115	Series 40	90	70		■					ML4465A1008	Line voltage.					
		Series 80				■						ML8465A1004	—				
	Series 70										■	ML7475A1012	Adjustable zero and volt span.				
											0-10	ML7475A1004	—				

<sup>a</sup> 135 ohm slidewire or Honeywell Electronic Series 90™.

*continued on next page*

TABLE 8. 25-144 LB-IN. SPRING RETURN DIRECT COUPLED ACTUATORS (Continued).

Torque (lb-in.)	Power (Vac)	Control Mode	Stroke (degrees)	Timing (sec)	Auxiliary Switch	CONTROL SIGNAL					OS Number	Comments	
						On/Off spst	Floating spdt	4 to 20 mA	2 to 10 Vdc	135 ohms <sup>a</sup>			
144	115	Series 40	90	90		■					ML4195A1001	—	
					2	■					ML4195C1009	2 aux switches.	
					■					ML8195A1007	—		
		2			■				ML8195C1005	2 aux switches.			
						■				ML6195A1009	—		
		2				■				ML6295C1005	2 aux switches; feedback (0-1000 ohms).		
		24			Series 80						0-10	ML7295A1006	0.5 to 9.5 Vdc control span.
	2									0-10	ML7295C1004	2 aux switches; 0.5 to 9.5 Vdc control span.	
												ML7295H1009	2 aux switches; adj zero (0 to 5 Vdc) and span (2-30 Vdc).
												ML7295A1014	—
	2											ML7295C1012	2 aux switches.
						Series 60							
		Series 62											
		Series 70											

<sup>a</sup> 135 ohm slidewire or Honeywell Electronic Series 90™.

TABLE 9. 35-300 LB-IN. NON-SPRING RETURN DIRECT COUPLED ACTUATORS.

NOTE: 35/70 lb-in. non-spring return models have terminal connections. 150/300 lb-in. non-spring return models include 1m cable.

Torque (lb-in.)	Power (Vac)	Control Mode	Stroke (degrees)	Timing (sec)	Auxiliary Switch	CONTROL SIGNAL					Declutch	OS Number	Comments						
						Floating spdt	4 to 20 mA	2 to 10 Vdc	135 ohms <sup>c</sup>										
35	24	Series 60	45,60,90	90		■						ML6161A1001	Output for feedback (200976A,C). <sup>a</sup>						
						■						ML6161A2009	Output for feedback (200976A,C); declutch. <sup>a</sup>						
												ML6161B1000	— <sup>b</sup>						
						■						ML6161B2008	Declutch. <sup>b</sup>						
												ML6161B2024	Declutch. <sup>a</sup>						
												ML6161C1009	Output for feedback (200976A,C); conduit connection cover. <sup>a</sup>						
						■						ML6161C2007	Output for feedback (200976A,C); conduit connection cover; declutch. <sup>a</sup>						
												ML6161D1008	Conduit connection cover. <sup>a</sup>						
						■						ML6161D2006	Conduit connection cover; declutch. <sup>a</sup>						
								3 min		■						ML6161A1027	Output for feedback (200976A,C). <sup>a</sup>		
						■											ML6161A2025	Output for feedback (200976A,C); declutch. <sup>a</sup>	
																	ML6161B1190	— <sup>b</sup>	
					■											ML6161B2065	Declutch. <sup>b</sup>		
																ML6161C1025	Output for feedback (200976A,C); conduit connection cover. <sup>a</sup>		
					■											ML6161C2023	Output for feedback (200976A,C); conduit connection cover; declutch. <sup>a</sup>		
																ML6161D1024	Conduit connection cover. <sup>a</sup>		
					■											ML6161D2022	Conduit connection cover; declutch. <sup>a</sup>		
							7 min			■							ML6161A1019	Output for feedback (200976A,C). <sup>a</sup>	
					■													ML6161A2017	Output for feedback (200976A,C); declutch. <sup>a</sup>
																		ML6161B1018	— <sup>b</sup>
					■													ML6161B2016	Declutch. <sup>b</sup>
																	ML6161B2032	Declutch. <sup>a</sup>	
																	ML6161C1017	Output for feedback (200976A,C); conduit connection cover. <sup>a</sup>	
					■											ML6161C2015	Output for feedback (200976A,C); conduit connection cover; declutch. <sup>a</sup>		
															ML6161D1016	Conduit connection cover. <sup>a</sup>			
				■											ML6161D2014	Conduit connection cover; declutch. <sup>a</sup>			
					Series 70	45,60,90	90			■		■				ML7161A1000	— <sup>a</sup>		
																		ML7161A2008	Declutch. <sup>a</sup>

<sup>a</sup> Includes 4074ENJ assembly. See Table 11.

<sup>b</sup> Includes 4074ENY assembly. See Table 11.

<sup>c</sup> 135 ohm slidewire or Honeywell Electronic Series 90™.

continued on next page



**TABLE 9. 35-300 LB-IN. NON-SPRING RETURN DIRECT COUPLED ACTUATORS (Continued).**

Torque (lb-in.)	Power (Vac)	Control Mode	Stroke (degrees)	Timing (sec)	Auxiliary Switch	CONTROL SIGNAL				Declutch	OS Number	Comments													
						Floating spdt	4 to 20 mA	2 to 10 Vdc	135 ohms <sup>c</sup>																
70	24	Series 60	45,60,90	90		■				■	ML6174A2002	Output for feedback (200976A,C) <sup>a</sup>													
											ML6174B2001	— <sup>b</sup>													
											ML6174B2019	— <sup>a</sup>													
											ML6174C2000	Integral enclosure; Output for feedback (200976A,C) <sup>a</sup>													
											ML6174D2009	Integral enclosure. <sup>a</sup>													
											3 min	■					ML6174A2010	Output for feedback (200976A,C) <sup>a</sup>							
																	ML6174C2026	Integral enclosure; Output for feedback (200976A,C) <sup>a</sup>							
																	7 min	■					ML6174A2028	Output for feedback (200976A,C) <sup>a</sup>	
											ML6174B2027	— <sup>b</sup>													
											ML6174B2035	— <sup>a</sup>													
											Series 70	90					■	■				ML6174C2018	Integral enclosure; Output for feedback (200976A,C) <sup>a</sup>		
																						ML6174D2017	Integral enclosure. <sup>a</sup>		
		150	24	Series 60	95	92		■				■	ML6184A1003	—											
ML6184D1000	Timeout.																								
ML6184C1001	2 aux switches.																								
ML6184F1008	2 aux switches.																								
Series 62													■									ML6284A1001	500 ohm feedback.		
																						ML6284D1008	500 ohm feedback; timeout.		
																						ML6284C1009	500 ohm feedback; 2 aux switches.		
Series 70																							ML6284F1006	500 ohm feedback; timeout; 2 aux switches.	
																							ML7284D1007	Timeout.	
																							ML7284F1005	Timeout; 2 aux switches.	
																							ML7284A1018	—	
																							ML7284D1015	Timeout.	
				ML7284C1008	2 aux switches.																				
Series 90														ML7284F1013	Timeout; 2 aux switches.										
														ML9184A1000	—										
														ML9184D1007	Timeout.										
														ML9184C1008	2 aux switches.										
														ML9184F1005	Timeout; 2 aux switches.										
300	24			Series 60	95	92		■				■	ML6194A1002	—											
		ML6194D1009	Timeout.																						
		ML6194C1000	2 aux switches.																						
		ML6194F1007	Timeout; 2 aux switches.																						
		Series 62											■										ML6294A1000	500 ohm feedback.	
																							ML6294D1007	500 ohm feedback; timeout.	
																							ML6294C1008	500 ohm feedback; 2 aux switches.	
		Series 70																						ML6294F1005	500 ohm feedback; timeout; 2 aux switches.
																								ML7294D1014	Timeout.
																								ML7294F1012	Timeout; 2 aux switches.
																								ML7294A1009	—
																								ML7294D1006	Timeout.
				ML7294C1007	2 aux switches.																				
		Series 90													ML7294F1004	Timeout; 2 aux switches.									
															ML9194A1009	—									
															ML9194D1006	Timeout.									
															ML9194C1007	2 aux switches.									
ML9194F1004	Timeout; 2 aux switches.																								

<sup>a</sup> Includes 4074ENJ assembly. See Table 11.

<sup>b</sup> Includes 4074ENY assembly. See Table 11.

<sup>c</sup> 135 ohm slidewire or Honeywell Electronic Series 90™.

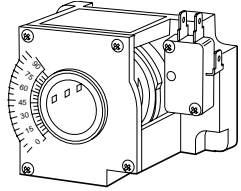
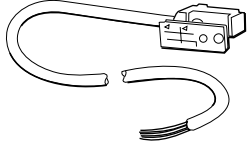
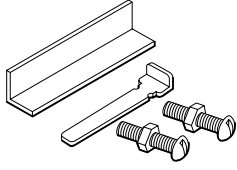
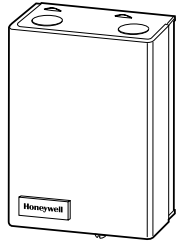
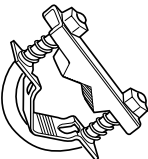
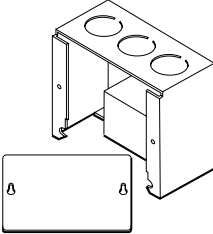
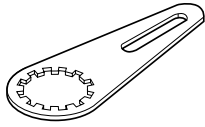
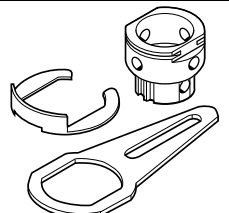
TABLE 10. DIRECT COUPLED VALVE ACTUATORS.

NOTE: All models are powered with 24 Vac.

Spring Return	Force (lbf)	Stroke (in.)	Timing (sec)	Power (Vac)	CONTROL SIGNAL					Model	Comments	
					On/Off spst	Floating spdt	4 to 20 mA	2 to 10 Vdc	135 ohm <sup>d</sup>			
No	40.5	1/4	125	24		■				M6410A1011	UL94-5V plenum rated.	
										M6410A1029	UL94-5V plenum rated.; includes conduit connector.	
							■ <sup>a</sup>		M7410E1036	Direct/reverse acting switch; UL94-5V plenum rated.		
									M7410F1000	Direct/reverse acting switch; UL94-5V plenum rated; includes conduit connector.		
	160	3/4	60			■					ML684A1025	—
							■	■	■	ML7984A3001	Replaces all ML784 and ML984 standard models; use with V5011F & G.	
			75							ML7984A3019	Replaces all ML784 and ML984 standard models; use with V5011a & C.	
										ML7984B3000	For use with pulse width modulation control.	
No <sup>c</sup>	405	3/4	90	24	■ <sup>b</sup>					V2045A1038	For use with V5045 Valve only.	
						■				ML6421A1009	Includes 1/2 in. conduit connector knockouts.	
						■	■	■	ML7421A1008	Includes 1/2 in. and 3/4 in. conduit connector knockouts.		
						■	0-10		ML7421A1024			
			1 1/2		175		■				ML6421B1032	Includes 1/2 in. conduit connector knockouts.
								■	■	■	ML7421B1007	Includes 1/2 in. and 3/4 in. conduit connector knockouts.
								■	0-10		ML7421B1015	
Yes	135	3/4	90	24		■				ML6425A3022	Extends actuator stem on power failure, includes conduit connector and one knockout.	
										ML6425B3013	Retracts actuator stem on power failure, includes conduit connector and one knockout.	
							■	■		ML7425A3013	Extends actuator stem on power failure, includes conduit connector and one knockout.	
										ML7425B3012	Retracts actuator stem on power failure, includes conduit connector and one knockout.	

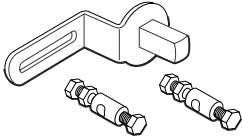
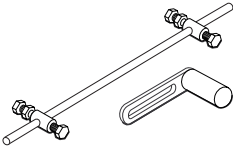
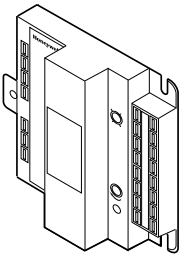
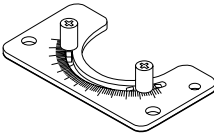
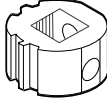

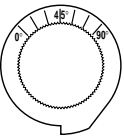
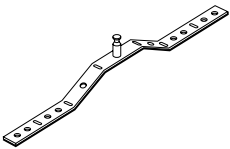
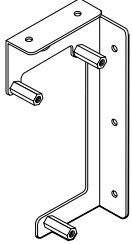
<sup>a</sup> Adjustable, operates on 2-10 Vdc or 0-10 Vdc.  
<sup>b</sup> Requires the use of a SPDT controller.  
<sup>c</sup> Actuator includes manual opener.  
<sup>d</sup> 135 ohm slidewire or Honeywell Electronic Series 90™.

**TABLE 11. DIRECT COUPLED ACTUATOR ACCESSORIES.**

Description	Accessory Part Number	Use With Direct Coupled Damper Actuator	
		Non-spring Return	Spring Return
Auxiliary Switch, for 3/8 in. or 1/2 in. shaft 	201052A,B,C	ML6161, ML7161	
Auxiliary Switch, Two 	203409		ML8465
Bag Assembly Kit (one stop pin and shaft adapter) Bag Assembly Kit (one stop pin, shaft adapter, two minimum position screws) 	4074ENY 4047ENJ	35 lb-in. ML6161, ML7161; 70 lb-in. ML6174, ML7174 see Table 9 for specific models	
Case and Cover 	7640QW	ML6161, ML6174, ML7161, ML7174	
Clamp Assembly, Damper Shaft 	203416		ML8465, ML4465, ML7475
Conduit Connector 	203901		ML8465, ML7475
Crank Arm Adapter 	205685 205846	150 lb-in. 300 lb-in.	
Crank Arm Assembly (hub insert with set screws, retaining ring and crankarm) 	205870		25 or 50 lb-in.

*continued on next page*

TABLE 11. DIRECT COUPLED ACTUATOR ACCESSORIES (Continued).

Description	Accessory Part Number	Use With Direct Coupled Actuator	
		Non-spring Return	Spring Return
Crank Arm Kit (includes two ball joint connectors) 	205830A		25 or 50 lb-in.
Crank Arm Set, Linear 	203405		ML8465, ML7475
Economizer™ Logic Module, Solid State 	W6210A, D,		Honeywell Series 62 DCAs
	W7210A, D		Honeywell Series 72 DCAs
End Stop Kit 	205850B		25 or 50 lb-in.
Hub Insert, 3/4 in. round 	205617	150 lb-in.	
Hub Insert, 3/8 in.	205753	150 lb-in.	25 or 50 lb-in.
Hub Insert, 1/2 in.	205755		
Hub Insert, 5/8 in.	205758		
Hub and retaining ring, 1 in. round 	205843B	300 lb-in.	
Hub and retaining ring, 3/4 in. round or square	205856B		
Hub, 5/8 in. round or square	205849A		
Limiters, Angular Rotation 	203407		ML8465, ML7475
Mounting Bracket 	203415		ML8465, ML7475
Mounting Kit, 3-Point, bracket and 3 standoffs 	205820A		25 or 50 lb-in.
Mounting Kit, Tandem, bracket, 6 standoffs and drive shaft extension	205840A	150 lb-in. 300 lb-in.	25 or 50 lb-in.

continued on next page

**TABLE 11. DIRECT COUPLED ACTUATOR ACCESSORIES (Continued).**

Description	Accessory Part Number	Use With Direct Coupled Actuator	
		Non-spring Return	Spring Return
Potentiometer, Feedback 0 to 1000 ohm	200976C	ML6161A,C, ML6174A,C	
Potentiometer, Feedback 0 to 500 ohm	200976A		
Potentiometer, Remote Minimum Position	205860	Actuator with 0/4-20 mA, or 0/2-10 Vdc control signal	
Potentiometer, Remote Minimum Position, NEMA 4 mount	205860A		
Shaft Adapter, 1 in.	205880		25 or 50 lb-in.
Shaft Extension	203406		ML8465, ML7475
Shaft Reducer	203404		ML8465, ML7475
Short Shaft Adapter	4047EVK	ML6161, ML7161, ML6174, ML7174	

*continued on next page*

**TABLE 11. DIRECT COUPLED ACTUATOR ACCESSORIES (Continued).**

Description	Accessory Part Number	Use With Direct Coupled Valve Actuator	
		Non-spring Return	Spring Return
Auxiliary Switch, Dual (for 24 Vac use only)	43191680-102	ML6421, ML7421	
Auxiliary Switch, Dual (for 24 Vac use only)	43191680-105		ML6425, ML7425
Motor Brush Replacement Kit	272775	ML7984	
Mounting Hardware Bag Assembly	40003793-003	ML684/ML7984	
Potentiometer, Dual Auxiliary (220 ohm)	43191679-103	ML6421A, ML7421A	
Potentiometer, Dual Auxiliary (220 ohm)	43191679-104	ML6421B, ML7421B	
Potentiometer, Single Auxiliary	43191679-101	ML6421A	
Potentiometer, Single Auxiliary	43191679-102	ML6421B	
Potentiometer, Single Auxiliary (10k ohm)	43191679-111		ML6425, ML7425
Potentiometer, Single Auxiliary (220 ohm)	43191679-112		ML6425, ML7425
Resistor Kit	272822	ML7984	
Switch, one spst	272630A	ML684/ML7984	
Switches, two spst	272630B	ML684/ML7984	

**TABLE 12. PNEUMATIC DAMPER ACTUATORS.**

Diaphragm (sq in.)	Stroke (in.)	Spring Range (psi)	Torque at 18 psi main pressure (lb-in.)			Temperature Limits (°F)	Positive Positioning	Damper Actuator OS Number		
			Shaft Position							
			Retracted	Midstroke	Extended					
2.82	1	5-10	6	2	9	50-140	No	MP913A1029		
									MP913A1037	
					MP913A1052					
		10-15	11	3	MP913A1003					
					MP913A1011					
	3.5	2-7	3-13	10	10	54	-20-160		MP909A1652 <sup>a</sup>	
										MP909A1014 <sup>a</sup>
										MP909A1645 <sup>a</sup>
				5-10		25			40	MP909A1637 <sup>a</sup>
				7-13		34			25	MP909A1660 <sup>a</sup>
3	2.38	3-8	11	8	36	50-140	No	MP909D1201		
									MP909D1300	
									MP909D1359	
		5-10	18	29	MP909D1227					
					MP909D1334					
		8-13	29	18	MP909D1219					
	3	5-10		22	10	36			MP909D1318	
										MP909D1441
6.6	2.1 to 3.4	5-10	45	19	73	-20-160	No	MP909E1059		
									MP909E1067	
	3.1	2.5-6.5	9-13	26	22			118	MP909E1083	
										MP909E1372
					MP909E1158					
					MP909E1174					
	4	3-13	5-10	40	28			66	MP909E1380	
										MP909E1398
										MP909E1018
					MP909E1026					
					MP909E1349					
					MP909E1356					
					MP909E1034					
			MP909E1364							
			MP909E1463							
			MP909E1471							
	10	40	66		Yes	MP909H1331				
						MP909H1368				
						MP909H1392				

<sup>a</sup> Recommended for direct replacement only. For new and retrofit, use MP909D.

*continued on next page*

TABLE 12. PNEUMATIC DAMPER ACTUATORS (Continued).

Diaphragm (sq in.)	Stroke (in.)	Spring Range (psi)	Torque at 18 psi main pressure (lb-in.)			Temperature Limits (°F)	Positive Positioning	Damper Actuator OS Number		
			Shaft Position							
			Retracted	Midstroke	Extended					
11	2.25	3-12	41	26	138	-20-160	No	MP516A1087		
		4-8	55		138			MP516A1095		
		5-12	69		82			MP516A1103		
23.8	3.5	3-7	125	88	458	-40-158	No	MP918B1063		
								3-13	208	MP918B1071
		MP918B1006								
		MP918B1014								
		MP918B1022								
		MP918B1030								
		MP918B1048								
		5-10	208		333			MP918B1089		
		8-13	333		208			MP918B1097		
								MP918B1105		
		208	208		208			-20-158	Yes	MP918B1113
										MP918B1196
										MP918A1024
MP918A1057										
24.8	6	7-13	520	158	372			MP918A1081		
								MP920B1002		



**TABLE 13. PNEUMATIC VALVE ACTUATORS.**

Stem Travel (in.)	Positioner	Actuator Action	Diaphragm Diameter (in.)	Spring Range (psi)	OS Number	Comments	
3/4	No	DA	5	2-7	MP953C1000	—	
				4-11	MP953C1026		
				8-12	MP953C1018		
			8	2-7	MP953C1067		
				4-11	MP953C1083		
				8-12	MP953C1075		
			13	2-7	MP953C1554		
				4-11	MP953C1562		
				3-7	MP953D1172		
	RA	7-1/8	4-11	MP953D1131			
			8-13	MP953D1107	—		
				MP953D1248			
	Yes	DA	5	4-11	MP953E1301	Positioner: 3 psi range	
					MP953E1319	Positioner: 5 psi range	
					MP953E1327	—	
8					MP953E1368	Positioner: 3 psi range	
MP953E1376					Positioner: 5 psi range		
MP953E1384					Positioner: 10 psi range		
13			MP953E1400	—			
			MP953E1418				
			MP953E1443				
RA			7-1/8	8-13	MP953F1093	Positioner: 3 psi range	
					MP953F1101	Positioner: 5 psi range	
					MP953F1119	Positioner: 10 psi range	
1 1/2		No	DA	8	3-15	MP953C1547	—
				13	4-11	MP953C1489	
		Yes		8		MP953E1285	Positioner: 5 psi range
a	No		2-5	MP958A1009	—		
			3-10	MP958A1017			
			8-11	MP958A1025			

<sup>a</sup> MP958 actuators for use with only V5852, V5853, V5862, V5863 Valves.

**TABLE 14. PNEUMATIC ACTUATOR ACCESSORIES.**

<b>Part Description</b>	<b>Part Number</b>	<b>Use With Actuator</b>
Balljoint, Actuator Shaft, 3/8-16 UNC, fits 5/16 in. diameter pushrod	315781	MP909A,D,E,H, MP918A,B
Balljoint, Crankarm, 1/4-28 UNC, stud fits 5/16 in. pushrod	27518	MP516A, MP909A,D,E,H
Bracket, 3 in. long, 3-3/4 in. wide, 2-3/4 in. high	14003640-001	MP909A,D
Bracket, 4-3/8 in. long, 5 in. wide, 4-3/8 in. high, external	14002850-001	
Bracket, mounting	14004368-002	MP920B
Clevis, long, bag assembly: actuator shaft coupling for 5/8 in. 11 rod	AK3559	
Clevis, short, bag assembly: 3/8 in. 16 rod	AK3557	
Coupling for 3/8 in. 16 rod, includes angle balljoint (3/8 in. 24)	AK3561	
Coupling for 5/8 in. 11 rod, includes angle balljoint (3/8 in. 24)	AK3560	
Crankarm Assembly: conversion from internal N.O. to external trunnion mount	14004107-001	MP918A
Crankarm, for 1/2 in. damper shaft, 1-1/8 to 4-5/8 in. long	312867C	MP516A, MP909A,E,H
Crankarm, for 3/8 in. damper shaft, 1-1/8 to 4-5/8 in. long	26025B	MP516A, MP909D,E,H
Crankarm, for 7/16 in. damper shaft, 1-1/8 to 2-1/2 in. long	314316A	MP516A, MP909D
Crankarm, for 7/16 in. damper shaft, 1-1/8 to 4-5/8 in. long	27174B	MP516A, MP909D,E,H
Feedback Spring Kit: 3 psi (orange), 5 psi (yellow), 10 psi (blue)	14004210-001	MP920B
Linkage Kit, external mount	312867H	MP909E,H
Linkage Kit, internal mount, N.C. dampers	14000716-001	
Linkage Kit, internal mount, N.O. dampers	14000693-003	
Manual or Minimum Position Switch	SP970A-D	All
Positive Positioner Kit; includes 10 psi feedback spring	14004345-001	MP920B
Pushrod, 5/16 in. diameter, 12 in. long	2752C	MP516A, MP909A,D,E,H
Pushrod, 5/16 in. diameter, 24 in. long	2752G	MP918A,B
Pushrod, 5/16 in. diameter, 36 in. long	2752K	
Pushrod, 5/16 in. diameter, 48 in. long	2752L	

## APPENDIX A

# DETERMINING DAMPER ACTUATOR TORQUE REQUIREMENTS

Use the following procedure to determine the required torque for your damper.

NOTE: Damper area is measured using the A and B dimensions as defined in Fig. A-1.

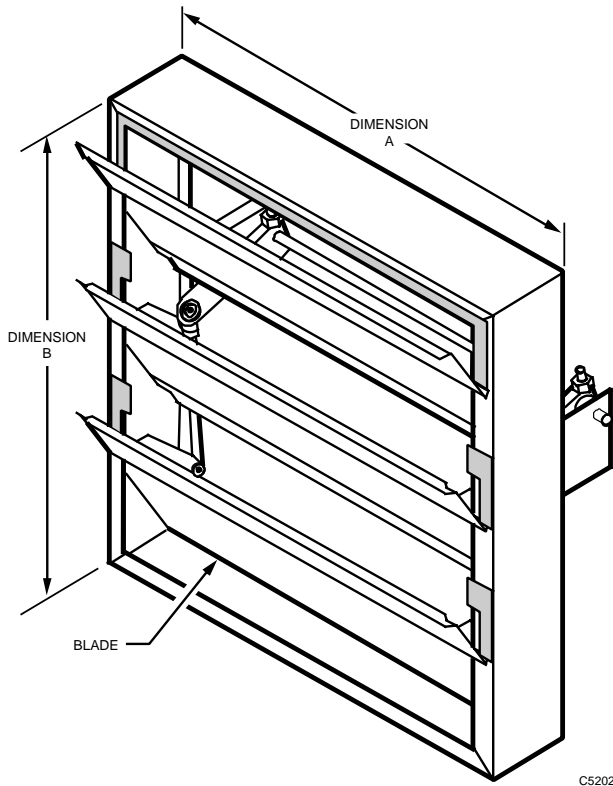


Fig. A-1. Measuring damper area.

1. Calculate the damper area in square feet by multiplying the A dimension by the B dimension.
2. Multiply the damper area by the lb-in. per square foot value from Table A-1, A-2, or B-1.

NOTE: The minimum lb-in. per square foot value that can accommodate tight closeoff and no leakage applications is 5, regardless of the value shown in the table.

3. Select the next highest actuator torque value than the calculated value.

### IMPORTANT

*12 lb-in. is the minimum torque required to operate Honeywell dampers.*

### EXAMPLE:

D640 Damper:

A dimension = 24 in.

B dimension = 48 in.

Static pressure (in. wc) = 1.5

Face velocity = 1000 fpm

$24 \text{ in.} \times 48 \text{ in.} \div 144 = 8 \text{ sq. ft}$

where: 144 = conversion factor (144 sq. in. per 1 sq. ft)

$8 \text{ sq. ft} \times 6.2 \text{ lb-in./sq. ft} = 49.6 \text{ lb-in.}$

where: 6.2 lb-in./sq. ft = value from Table A-1

In this case, you would need an actuator with a minimum torque of 49.6 lb-in. to open and close a D640 Damper with the given area.

NOTE: You may add an additional multiplier as a safety factor. (The safety factor covers estimated variations in temperature, voltage, velocity and pressure.)

### EXAMPLE:

A safety factor of 20 percent would be a multiplier of 1.2:

$49.6 \text{ lb-in.} \times 1.2 = 59.5 \text{ lb-in.}$  or 60 lb-in.

This example formula applies for all dampers in Tables A-1, A-2 and B-1.

To obtain the lb-in. per sq ft value for Honeywell low leakage D640/D641 (parallel/opposed) blade moduflow dampers, use Table A-1:

**TABLE A-1. HONEYWELL D640/D641 DAMPER LB-IN. PER SQ FT VALUE.**

Static Pressure (in. wc)	Face Velocity (fpm)									
	500		1000		1500		2000		2500	
	parallel	opposed	parallel	opposed	parallel	opposed	parallel	opposed	parallel	opposed
1	4	1.5	5	2.5	6	3.5	7	4.5	8	5
2	4	2	7.5	3	8.5	5	9.5	6	10.5	7
3	5.5	2.5	10	4	11	5.5	11.5	6.5	12	7.5
4	6	3	11	5	11.5	6	12	7	12.5	8

NOTE: For shaded areas, tight closeoff and no leakage applications require a minimum lb-in. per sq ft value of 5.

To obtain the lb-in. per sq ft value for Honeywell ultra low leakage D642/643 (parallel/opposed blade) moduflow dampers, use Table A-2:

NOTE: Low static models of the D642 and D643 are also available.

**TABLE A-2. HONEYWELL D642/643 DAMPER LB-IN. PER SQ FT VALUE.**

Static Pressure (in. wc)	Face Velocity (fpm)									
	500		1000		1500		2000		2500	
	parallel	opposed	parallel	opposed	parallel	opposed	parallel	opposed	parallel	opposed
1	4.5	2	7	3.5	7	5	8	6	8.5	7
2	7.5	2.5	10	4	11	6.5	11.5	7.5	12	8.5
3	8	3	11	4.5	14	7	14.5	8.5	15	10
4	10	3.5	12	5	14.5	7.5	15	9	16	11

NOTE: For shaded areas, tight closeoff and no leakage applications require a minimum lb-in. per sq ft value of 5.

## APPENDIX B

### DETERMINING DAMPER ACTUATOR TORQUE REQUIREMENTS WHEN USING A NON-HONEYWELL DAMPER.

**IMPORTANT**

*To obtain the lb-in. per sq ft value for non-Honeywell dampers, first consult the literature from the manufacturer.*

Table B-1 provides values that may be used to estimate a lb-in. per sq ft value for an industry standard damper.

**EXAMPLE:**

Non-Honeywell, low leakage, parallel blade damper:

A dimension = 48 in.

B dimension = 96 in.

Static pressure (in. wc) = 2 in. wc

Face Velocity = 1000 fpm

$48 \text{ in.} \times 96 \text{ in.} \div 144 = 32 \text{ sq. ft}$

$32 \text{ sq. ft} \times 7 \text{ lb-in./sq. ft} = 224 \text{ lb-in.}$

In this case you would need an atuator with a minimum nominal torque of 224 lb-in.

**TABLE B-1. APPROXIMATE INDUSTRY STANDARD DAMPER LB-IN. PER SQ FT VALUE.**

Leakage	Damper Blades	Face Velocity (fpm)/Static Pressure (in. wc.)				
		500/1	1000/2	1500/3	2000/4	2500/4
Low	Parallel	4	7	10.5	12	14
Low	Opposed	3	5	7.5	8.5	10
Standard	Parallel	3	4.5	6.5	7	8
Standard	Opposed	2	3	4.5	5	6