

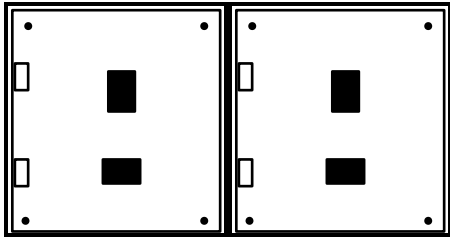
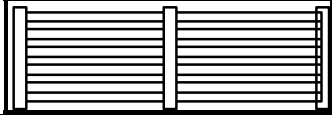
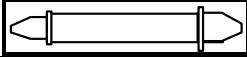
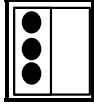
DR 4500/4500A Circular Chart Recorder Kit Instruction Alarm Output/Digital Input PCB Kit (30756140-001)

Form: 44-45-33-41
Effective: 5/93
Supersedes: 44-45-33-20, 11/90

Summary

The alarm output/digital input PCB kit contains all the components you need to add an alarm output/digital input PCB to the main PCB in a DR 4500 or DR 4500A recorder. See Table 1 for a list of the kit's contents. Use the following procedure to install the kit. This procedure assumes that the chart door is opened, the chart plate is swung out, and the power is removed.

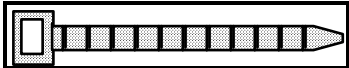
Kit Contents Table 1 - List of Kit Contents

Component	Part Number	Quantity
Alarm output/digital input PCB 	30754916-501	1
Ribbon Cable (34 Cond.) 	30755119-001	1
Spacer 	30732192-002	4
3-position connector 	30755139-003	1

4-position connector 	30755139-004	1
--	--------------	---

Kit Contents (Continued)

Table 1 - List of Kit Contents (Continued)

Component	Part Number	Quantity
Tie Wrap 	30371564-912	2

WARNING Never access components inside the case with the power applied.

Adding Alarm Output/Digital Input PCB

Procedure for Adding Alarm Output/Digital Input PCB

Step	Action
1	Locate four aligned holes in main PCB - two on left side and two in center. Press spacers, one at a time, into holes so their locking tabs touch PCB.
2	Position ribbon cable so that red lead is up, and receptacles in connectors on its left end and its center face down, and those in connector on its right end face up.
3	Plug center connector of ribbon cable onto multi-pin connector on main PCB (J11 on DR 4500; J13 on DR 4500A). Plug left end connector of cable onto multi-pin connector J8 on mother PCB (if present).
4	Position jumpers on new (alarm output/digital input) PCB to meet alarm application requirements.
5	Orient new PCB over spacers so that plug/receptacle connector J4 is in upper left corner, and carefully push down each corner of PCB in turn to seat it on all four spacers.
6	Plug ribbon cable connector onto multi-pin connector J1 on new (alarm output/digital input) PCB.
7	Unwrap pair of gray wires from transformer and plug connector of gray wires onto pins J2 on new PCB. Use tie wraps to secure gray, orange and purple leads of transformer assembly.
8	Refer to installation section in DR 4500/4500A Product Manual to make alarm output and or digital input wiring connections using 4-position and 3-position connectors.
9	Close chart plate and door. Apply power. Refer to Configuration section in DR 4500/4500A Product Manual to configure alarm and/or digital input functions.

NOTE: You may wish to change or add Table III in your recorder's model number to equal XX1 to show that the recorder is equipped with the alarm output/digital input functions.

Figure 1 Adding Alarm Output/Digital Input PCB

