

Model DR 4300 Circular Chart Recorder Replacement Instruction

Display Module Printed Circuit Assembly (51404459-501)

Document Number Form: 43-DR-33-74
 Effective: 3/98
 Supersedes: None

Kit Contents This Display Module Printed Circuit Assembly (PCA) Kit contains the following parts:

- Display PCA
- #6 x 3/8 Plastite Screws (2)
- Cables (2)

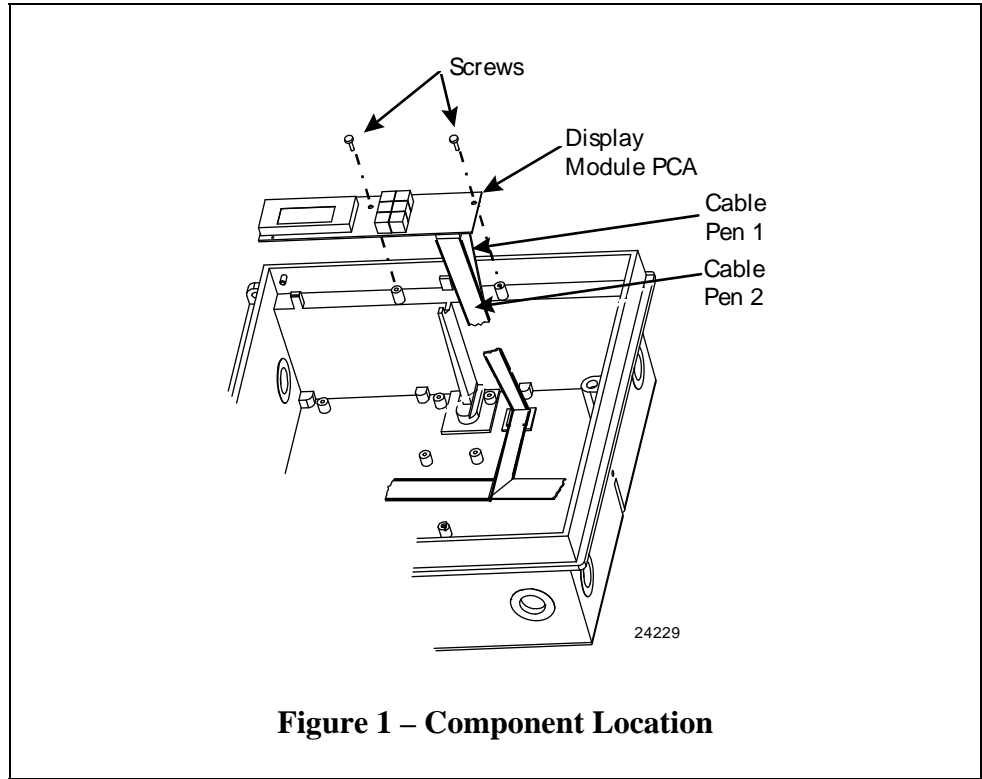
Summary Enclosed are a new display module PCA and parts for your DR4300 recorder. Use the following procedure to install the new display module.

WARNING Never access components inside the case with power applied.

Continued next page

Kit Instruction, continued

Component Location Refer to Figure 1 for the component locations and Table 1 for the installation procedure.



Installation Procedure Follow the procedure in Table 1 to install the new display module PCA in your recorder.

Table 1 – Display Module Printed Circuit Assembly Installation

Step	Action
1	Power down the recorder. Open the chart door and swing the chart plate out.
2	Note cable orientation before removing the two screws holding the display module PCA to the top of the case.
3	<p>Disconnect cable(s) from the back side of old PCA. Pull outward on the connector's end tabs then pull out the ribbon cable(s).</p> <p>You can leave the cable(s) attached to J4 on the main PCA(s) unless you are also replacing the cable. If you are replacing the cable(s), disconnect each one from J4 on its specific PCA and remove it, noting the routing layout.</p>
4	<p>Install the cable(s) on the new display PCA. Insert the cable in the connector and push in on end of connector tabs to lock cable(s) in place.</p> <p><i>If you are replacing the cable(s), go to Step 5.</i></p> <p><i>If you are using the existing cable(s), go to Step 6.</i></p>
5	<p>Feed the pen 1 ribbon cable behind the transmitter power assembly, behind the Main PCA for pen 1 (right side of case) to its J4 connector (upper right corner).</p> <p>If applicable, run the pen 2 ribbon cable behind the transmitter power assembly, behind the pen 1 Main PCA, bringing it to the J4 connector on the Main PCA for pen 2 (left side of case). This ribbon should be on top of the pen 1 ribbon cable.</p>
6	Secure the new display PCA to the case with the screws provided.
7	Close the chart plate and apply power. Check for normal display indication.