

MICRO SWITCH

A DIVISION OF MINNEAPOLIS-HONEYWELL REGULATOR COMPANY
FREEPORT, ILLINOIS

FED. MFR. CODE 91929

SWITCH-ENCLOSED

CATALOG LISTING
EX-AR800

M

EX-AR800

M

DRAWING NUMBER

14

ISSUE

AK

27 APR 05

REVISIONS

A	SR 8717	MBF	13 JAN 6
B	CO 16851	MBF	10 DEC 62
C	CO 17653	MBF	20 JAN 64
D	CO 18276	RJW	18 JUNE 64
E	CO 19878	RJR	27 OCT 66
F	CO 26103	DLF	18 JUL 69
G	CO 31559	DBW	23 MAY 73
H	CO 38995	WAW	16 AUG 77
J	CO 58360	CSH	9 NOV 85
K	CO 61381	DAW	22 APR 87

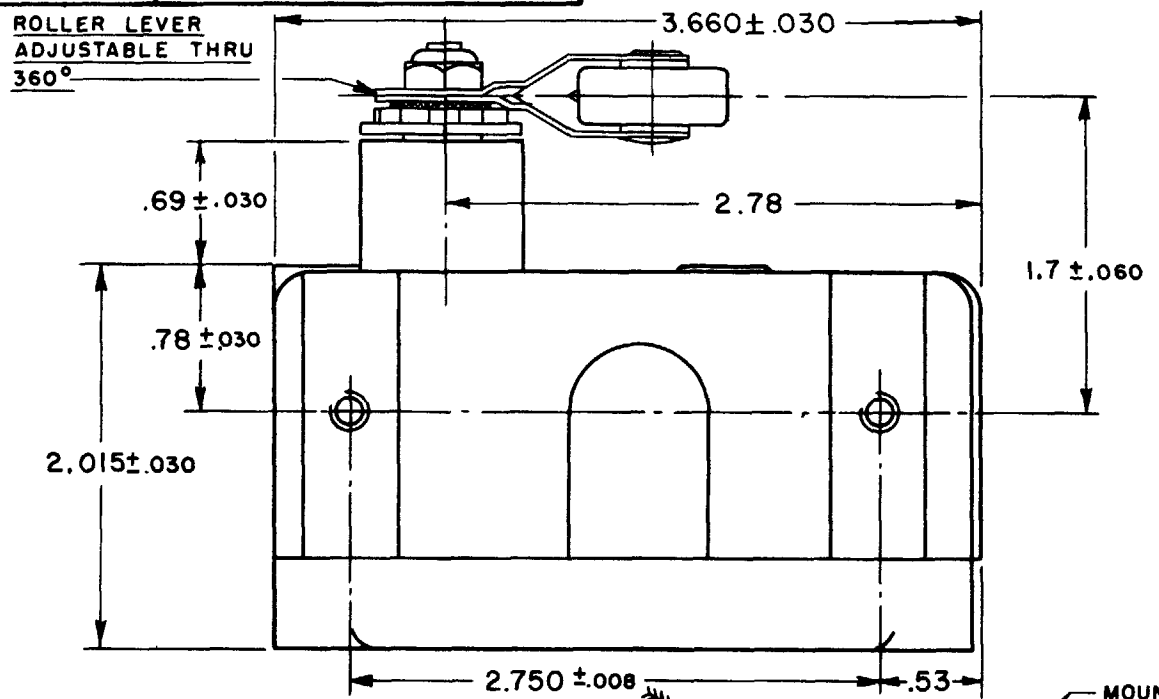
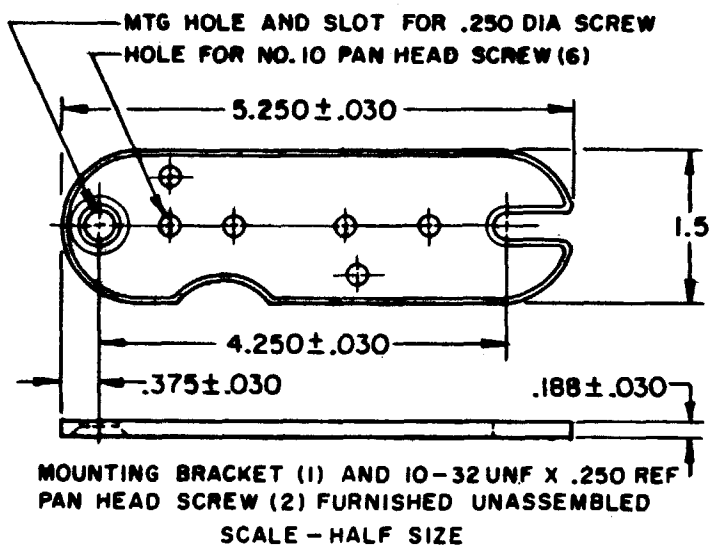
RELEASE NO. SR 8717

27 APR 05

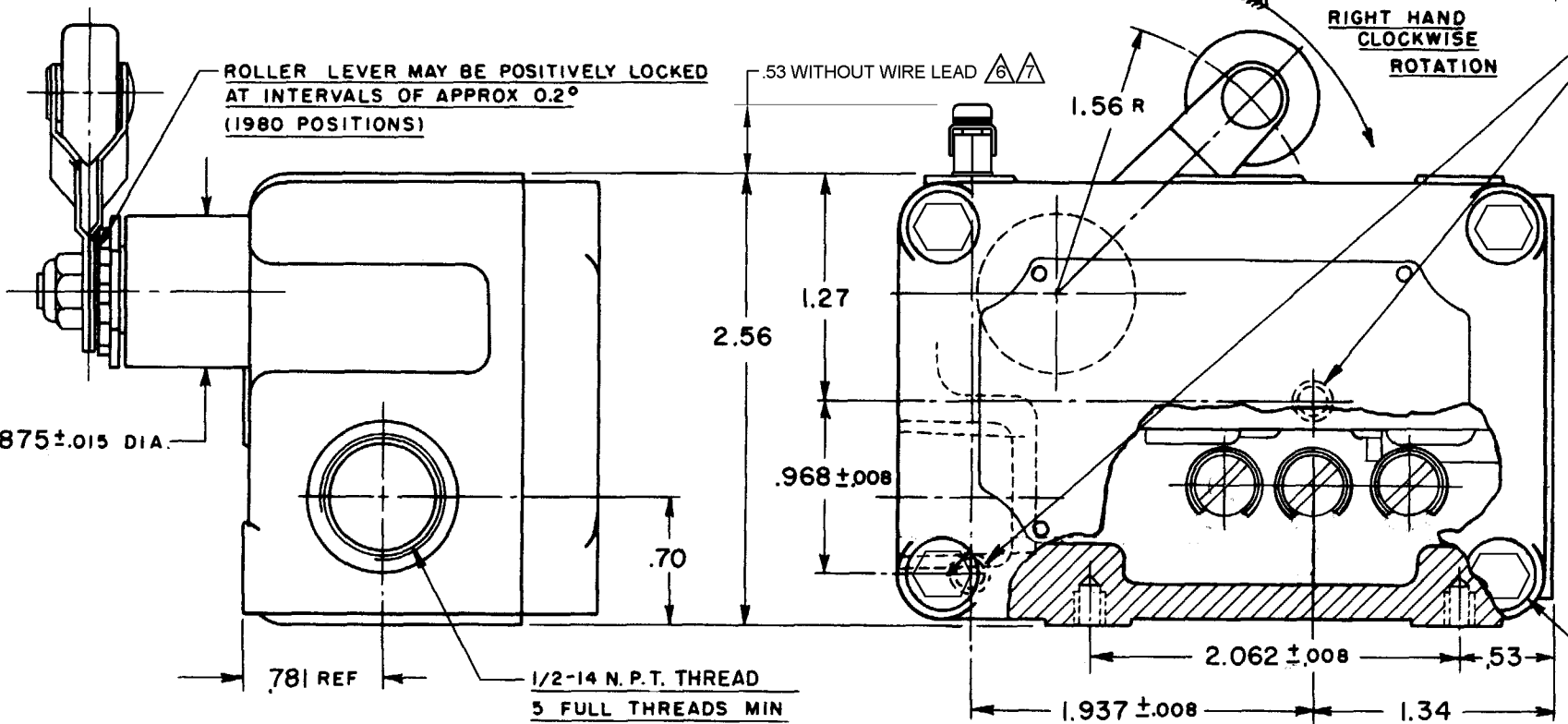
REF 20 OCT 58

18 JAN 60

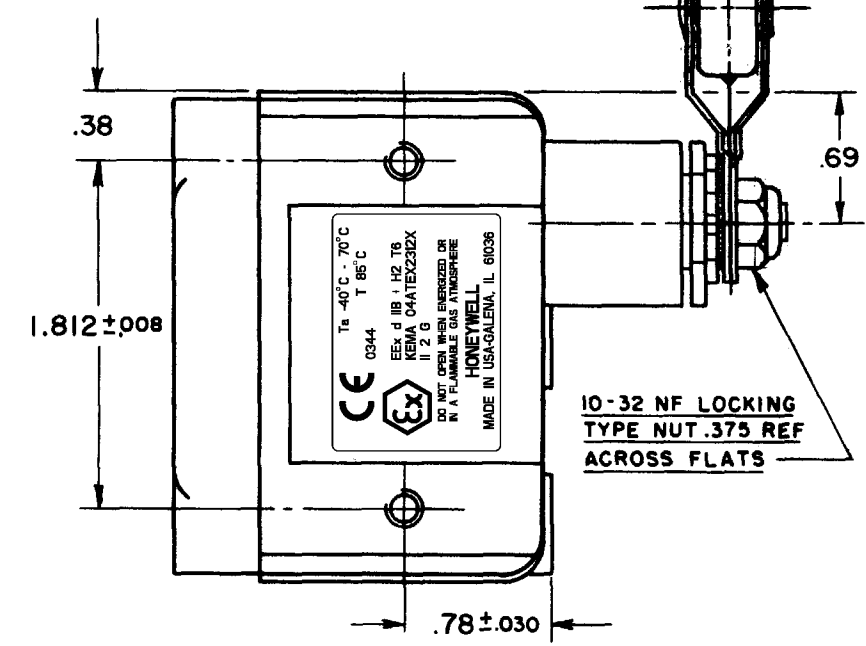
16 OCT 58



.750 REF DIA X .312 REF WIDE ROLLER
MADE OF NON-SPARKING WEAR
RESISTANT MATERIAL.



MOUNTING HOLE IN OPPOSITE WALL (2)



THIS DRAWING COVERS A PROPRIETARY ITEM AND IS THE PROPERTY OF MICRO SWITCH, A DIVISION OF MINNEAPOLIS-HONEYWELL REGULATOR CO. THIS DRAWING IS NOT TO BE COPIED OR USED WITHOUT THE APPROVAL OF MICRO SWITCH.

CHARACTERISTICS	ELECTRICAL DATA	SCALE FULL
OPERATING FORCE --- 1/2-1 1/4 LBS	CONTACT ARRANGEMENT S. P. D. T.	DO NOT SCALE PRINT
RELEASE FORCE --- 1/4 LB MIN	(C) -L96- 15 A-125, 250, OR 480 VAC 1/2 A-125 VDC; 1/4 A-250 VDC 1/8 HP-125 VAC, 1/4 HP-250 VAC	UNLESS OTHERWISE SPECIFIED DIMENSIONS ARE IN INCHES
PRETRAVEL --- .219 MAX 8°		TOLERANCES ARE:
DIFFERENTIAL TRAVEL --- .007 MAX 1/4°		ONE PLACE (.0) ± .030
DO NOT OVERTRAVEL MORE THAN --- 90°		TWO PLACE (.00) ± .015
SWITCH-BASIC REPLACEMENT --- BZ-2R-P4	THREE PLACE (.000) ± .008	ANGLES ±
	WEIGHT	

- NOTE-
- 1 - MOUNTING SCREW HOLE, 10-32 NF-2B THREADS X .219 REF DEEP. (8)
 - 2 - 8-32 NC X .219 REF TERMINAL SCREWS AND CUP WASHERS.
 - 3 - EXPLOSION PROOF-UNDERWRITER'S LAB LISTING FOR HAZARDOUS LOCATIONS NEMA 7, CLASS I, GROUPS B, C AND D, NEMA 9, CLASS II GROUPS E, F AND G.
 - 4 - EUROPEAN HAZARDOUS LOCATIONS DESIGNATION: EEx d IIB + H2 T6 CATAGORY II 2 G
 - 5 - SEAL RATING: NEMA 1
- △ EXTERNAL GROUND SCREW MAY BE ASSEMBLED TO ANY UNUSED MOUNTING SCREW HOLE
- △ ASSEMBLY PROVIDED SPLIT LOCKWASHER BETWEEN GROUND LUG AND HOUSING

FO-50378-003