

DRAWN

HALF A.J. 9. 12. 64. CHECK

ISSUE 2
DRAWING NUMBER 84

M DTE7 -2RN SERIES
CHART 1

RELEASE NO 1916-069 REPLACES

CHARACTERISTICS
OPERATING FREQ. 16-49 OZ.
RELEASE FREQ. 10 OZ. MIN.
DIFFERENTIAL TRAVEL .070 MAX.
OVERTRAVEL .125 MIN.
SWITCH BASIC REPLACEMENT DTE-2RN-A7M4

ELECTRICAL DATA
D.P.D.
.04-.125 CR 250 VAC
.034-.125 VDC : 0.05 A - 250 VDC
.020 MIN.

SCALE
DO NOT SCALE DRAWING
UNLESS OTHERWISE SPECIFIED
TOLERANCES ARE:
DIMENSIONS IN INCHES
FRACTIONS .010
DECIMALS .005
ANGLES .020
ALL DIMS

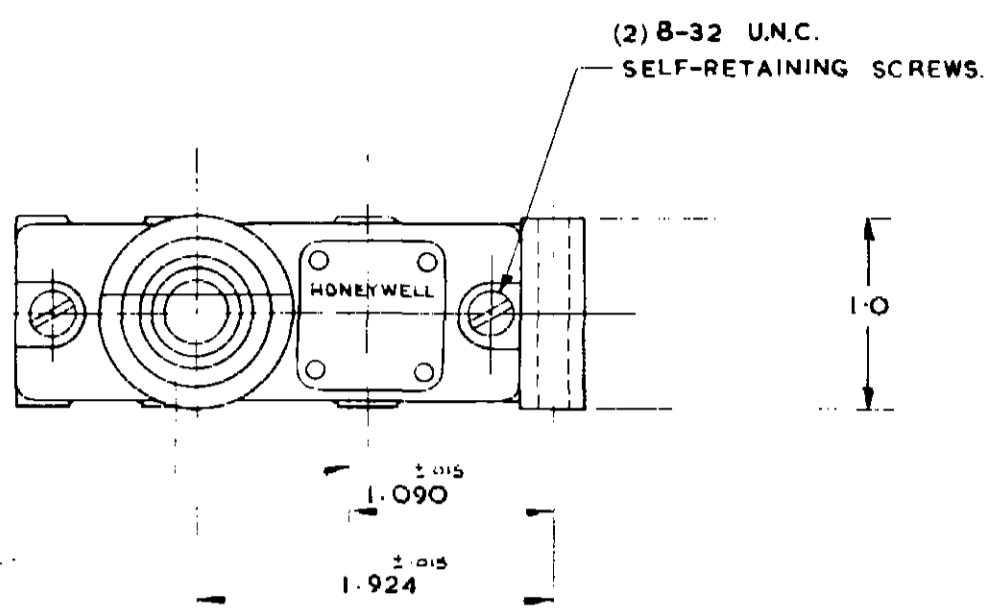
HONEYWELL CONTROLS LTD., GREENFORD, MIDDLESEX & NEWHOUSE, LANARKSHIRE

Honeywell
MICRO

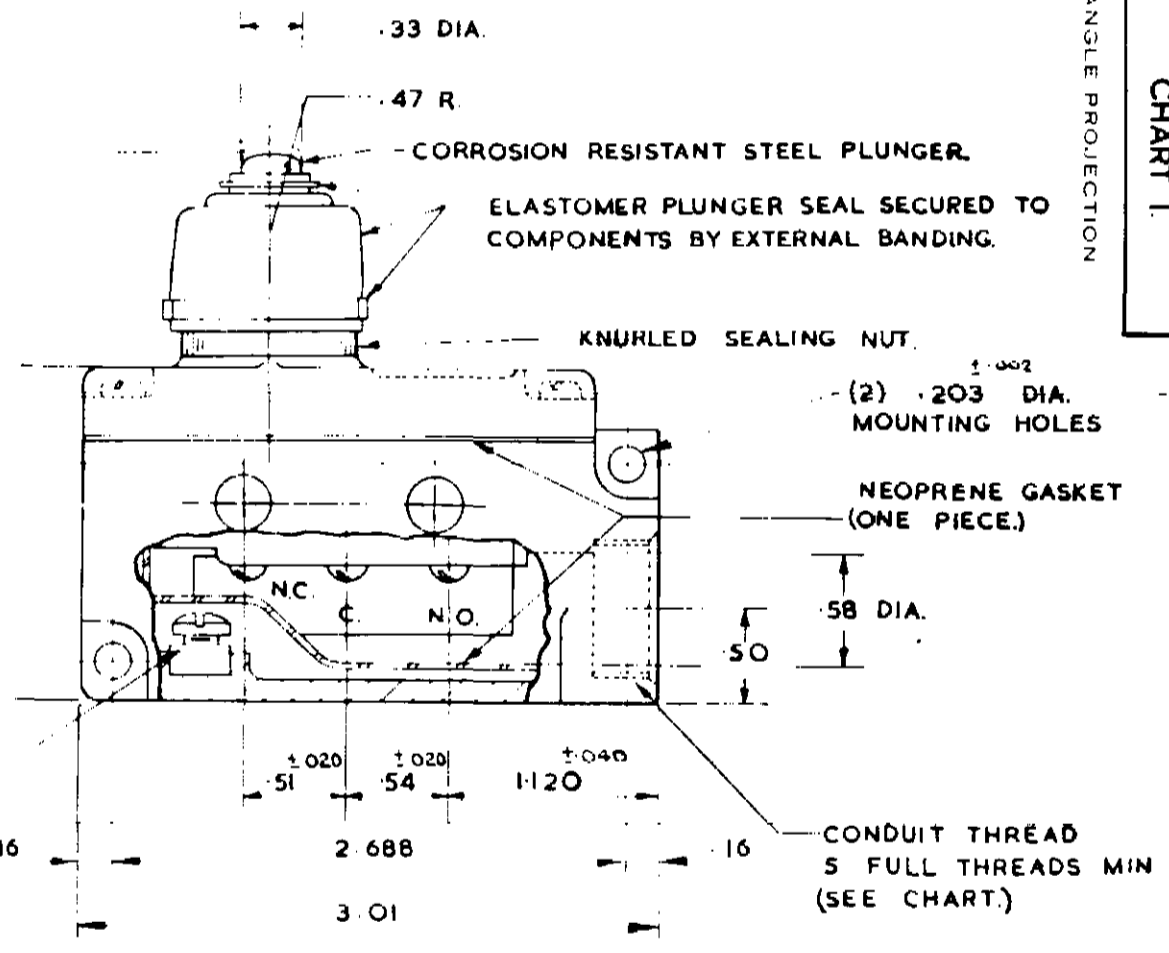
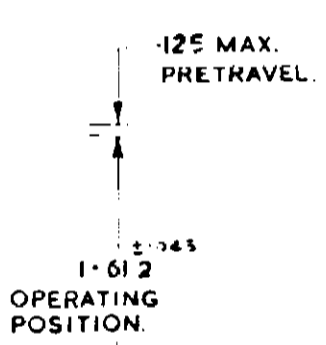
SWITCH - ENCLOSED

DTE7 -2RN SERIES
CHART 1

THIRD ANGLE PROJECTION



ALTERNATE POSITION OF PLUNGER (SEE NOTE 3)



- NOTE.**
- 1- ALUMINIUM ENCLOSURE FINISHED WITH GRAY PAINT.
 - 2- 4-40 NC X.125 REF TERMINAL SCREWS AND WASHERS.
 - 3- COVER, PLUNGER AND BASIC SWITCH MAY BE REMOVED AS A UNIT AND MOUNTED OPPOSITE HAND TO THAT SHOWN

CATALOGUE LISTING	Issue No.	CONDUIT THREAD	REMARKS.
DTE7-2RN34-C	1	20mm TO BS4568	SILICONE RUBBER PLUNGER SEAL
DTE7 - 2RN - C	1	20 MM. TO BS. 4568	
DTE7 - 2RN - PG.	1	PG 13, 5.	
DTE7-2RN-PG11	1	PG. 11	