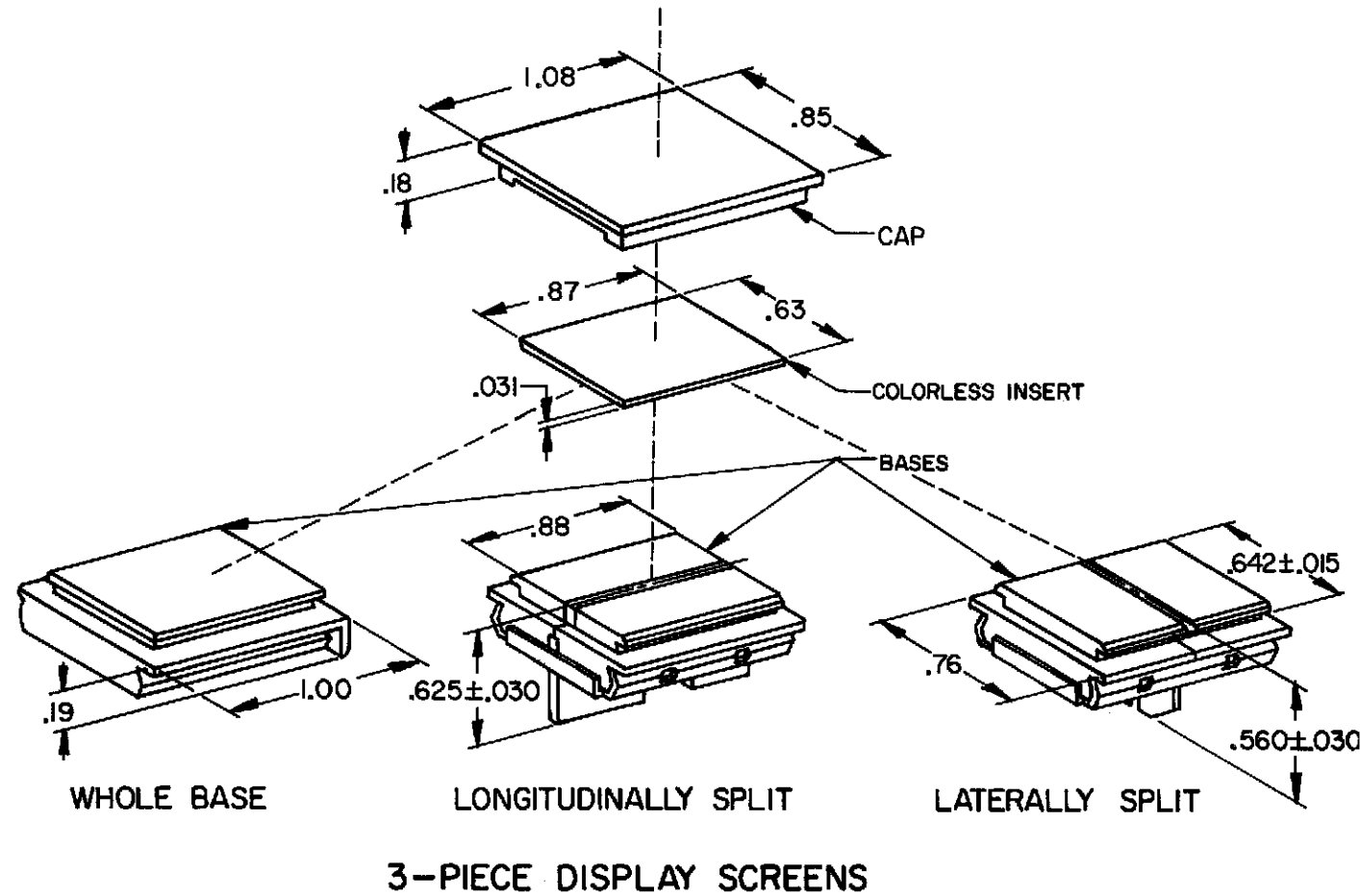


L 0069773
MBN
23SEP10

THIS DRAWING COVERS A PROPRIETARY ITEM AND IS THE PROPERTY OF MICRO SWITCH, A DIVISION OF HONEYWELL. THIS DRAWING IS NOT TO BE COPIED OR USED WITHOUT THE APPROVAL OF MICRO SWITCH

COLORS		CATALOG LISTINGS		
		3-PIECE DISPLAY SCREEN		
CAP	BASE	WHOLE BASE	LONGITU-DINALLY	LATER-ALLY
RED	RED	2A66		
YELLOW	YELLOW	Ⓣ		
GREEN	GREEN	2A68		
BLUE	BLUE	Ⓣ		
COLORLESS	WHITE	2A70		
COLORLESS	WHITE	2A242		
COLORLESS	RED & RED		2A51	Ⓣ
COLORLESS	RED & YELLOW		2A52	Ⓣ
COLORLESS	RED & GREEN		2A53	Ⓣ
COLORLESS	RED & BLUE		Ⓣ	
COLORLESS	RED & WHITE		2A55	Ⓣ
COLORLESS	YELLOW & GREEN		2A56	Ⓣ
COLORLESS	YELLOW & BLUE		Ⓣ	
COLORLESS	YELLOW & WHITE		2A58	2A43
COLORLESS	YELLOW & YELLOW		2A59	Ⓣ
COLORLESS	GREEN & BLUE		Ⓣ	Ⓣ
COLORLESS	GREEN & WHITE		2A61	2A46
COLORLESS	GREEN & GREEN		2A62	2A47
COLORLESS	BLUE & WHITE		Ⓣ	Ⓣ
COLORLESS	BLUE & BLUE		Ⓣ	
COLORLESS	WHITE & WHITE		2A65	2A50
COLORLESS	AMBER & AMBER		Ⓣ	
COLORLESS	WHITE & AMBER		Ⓣ	
COLORLESS	GREEN & WHITE		2A209	
COLORLESS	AMBER & WHITE		2A7093	Ⓣ
COLORLESS	WHITE & WHITE		Ⓣ	
COLORLESS	RED	Ⓣ		
COLORLESS	RED & GREEN		2A259	
COLORLESS	GREEN	2A248		
COLORLESS	GREEN & RED			Ⓣ
COLORLESS	RED & GREEN			2A38-L
COLORLESS	RED & RED		2A51-L	
COLORLESS	WHITE	2A70-L		



3-PIECE DISPLAY SCREENS

THIRD ANGLE PROJECTION

 SCALE FULL
 DO NOT SCALE PRINT
 UNLESS OTHERWISE SPECIFIED TOLERANCES ARE
 ONE PLACE (.0) ±.030
 TWO PLACE (.00) ±.015
 THREE PLACE (.000) ±.005
 ANGLES ±
 WEIGHT

CATALOG LISTING
2A SERIES CHART 1
 PAGE 1 OF 2
 ISSUE 34
 CMH 23SEP10
 CHECK CMH 18AUG09
 CHECK CMH 8 AUG 96
 CHECK MAM 8 AUG 96
 CHECK CMH 7 AUG 96
 REPLACES PR-4572
 DRAWN RASTER
 K D R
 7 AUG 96
 REVISIONS:
 A PR-22292
 K D R
 7 AUG 96
 B C093124
 G J W
 14 SEP 98
 C C093789
 D L T
 22 OCT 98
 D C095777
 J J A
 8 DEC 99
 E 201724
 G J W
 14 NOV 00
 F 203864
 C S L
 5 SEP 01
 G 0015825
 B M
 28 SEP 05
 H 0055520
 S S K
 18 AUG 09
 J 0057014
 P R S
 29 SEP 09
 K 0061584
 S J K
 18 FEB 10

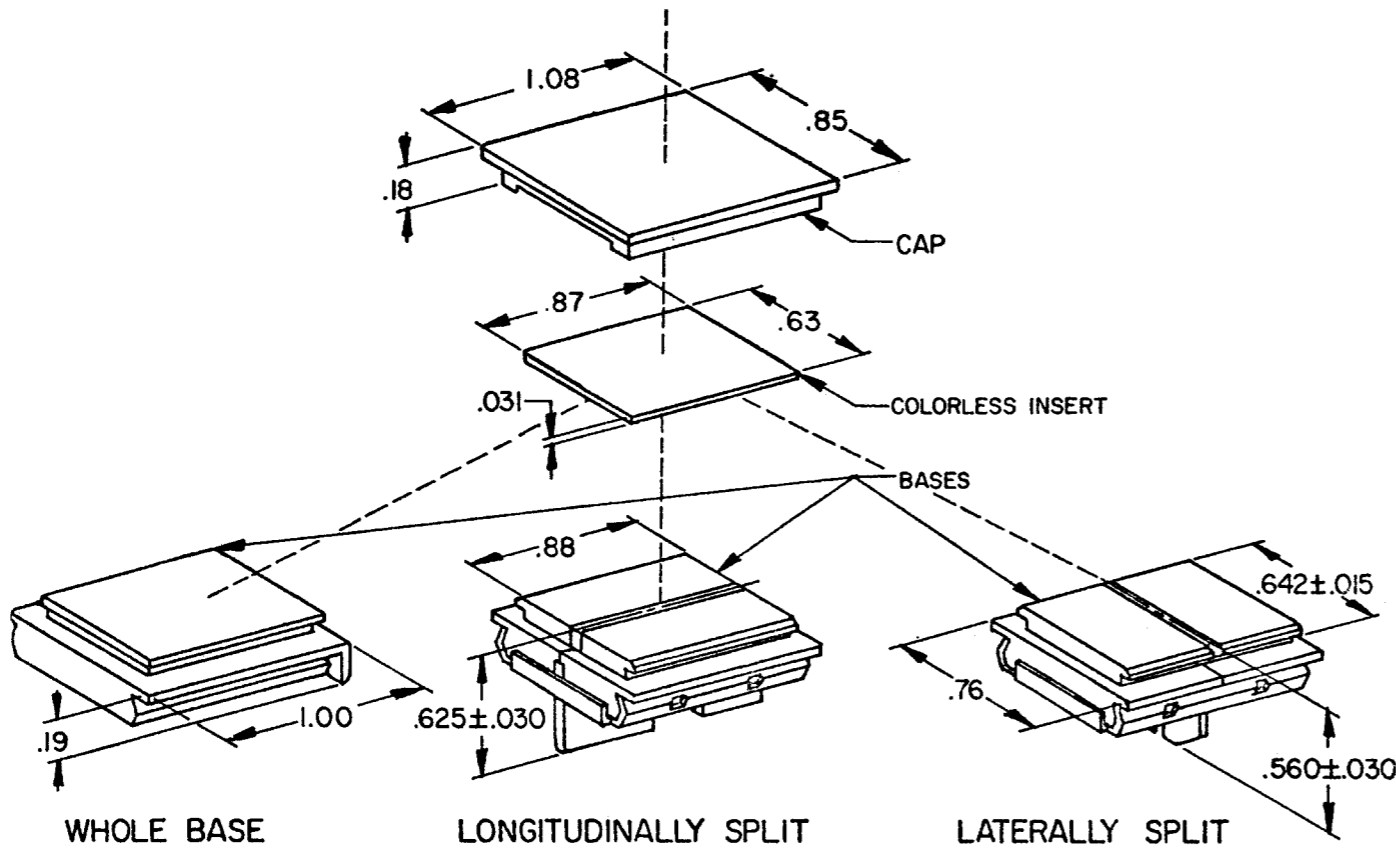
MICRO SWITCH
 FREEPORT, ILLINOIS, U.S.A.
 A DIVISION OF HONEYWELL
 FED. MFG. CODE 91929

DISPLAY SCREENS

CATALOG LISTING
2A SERIES CHART 1

THIS DRAWING COVERS A PROPRIETARY ITEM AND IS THE PROPERTY OF MICRO SWITCH, A DIVISION OF HONEYWELL. THIS DRAWING IS NOT TO BE COPIED OR USED WITHOUT THE APPROVAL OF MICRO SWITCH.

Honeywell



3-PIECE DISPLAY SCREENS

COLORS		CATALOG LISTINGS		
		3 - PIECE DISPLAY SCREEN		
CAP	BASE	WHOLE BASE	LONGITU-DINALLY	LATER-ALLY
COLORLESS	BLUE & WHITE		(E)	
SMOKEY GREY	WHITE	(A)		
SMOKEY GREY	WHITE & WHITE		(A)	
NONE	WHITE & WHITE			2A160
COLORLESS	GREEN & WHITE			2A741
COLORLESS	WHITE & AMBER		(A)	
COLORLESS	RED	(B)		
COLORLESS	GREEN & GREEN			(A)
SMOKEY GREY	RED & RED		(A)	
COLORLESS	YELLOW & WHITE		(A)	
WHITE TRANSLUCENT	RED & BLUE			(A)
SMOKEY GREY	WHITE	(A)		
COLORLESS	AMBER & RED			(A)
NONE	AMBER & RED		(A)	
NONE	AMBER		(A)	
NONE	RED & WHITE		(A)	
NONE	AMBER & WHITE		(A)	
NONE	BLUE & WHITE			(A)
COLORLESS	YELLOW & GREEN			(A)
RED	WHITE	(A)		
GREEN	WHITE	(A)		
COLORLESS	CLEAR & RED		(A)	
COLORLESS	CLEAR & BLUE		(A)	
COLORLESS	CLEAR & YELLOW		(A)	
COLORLESS	CLEAR & GREEN		(A)	
COLORLESS	CLEAR & AMBER		(A)	

CATALOG LISTING
2A SERIES CHART 1
 PAGE 2 OF 2

ISSUE **M**
 34

REVISIONS

A	CO-82436	JALA	5 FEB 96
B	CO-92836	C S L	17 AUG 98
C	CO93789	D L T	22 OCT 98
D	CO-95777	J J A	8 DEC 99
E	201724	G J W	14 NOV 00
F	203864	C S L	5 SEP 01
G	0015825	BM	28 SEP 05
H	0055520	SSK	18 AUG 09
J	0057014	PRS	29 SEP 09
K	0061584	SJK	18 FEB 10

RASTER
 DRAWN
 K A G 9 OCT 80

CHECK 18 FEB 10 CMH
 CHECK 23 SEP 10 CMH
 CHECK 10 OCT 80 CEB
 CHECK 9 OCT 80 CEB

THIRD ANGLE PROJECTION

SCALE FULL

DO NOT SCALE PRINT

TOLERANCES

APPLY TO DESIGN UNITS. CONVERSIONS ARE ONLY FOR REFERENCE. UNLESS NOTED, TOLERANCES ARE ±

DIM.	TOL.	DIM.	TOL.
mm	mm/in	in	mm/in
NO PLACES	X	1/04	
ONE PLACE	X,X	0.4/016	X,X 0.8/03
TWO PLACES	X,XX	0.15/006	X,XX 0.38/015
THREE PLACES	X,XXX		X,XXX 0.13/005

DESIGN UNITS SI METRIC US CUSTOMARY

WEIGHT