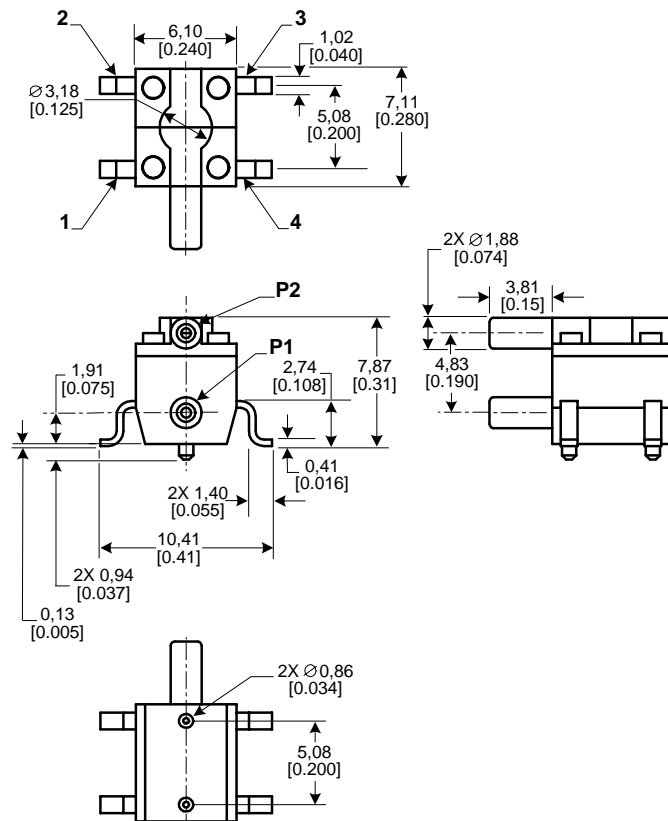


26PC SMT Series Pressure Sensor

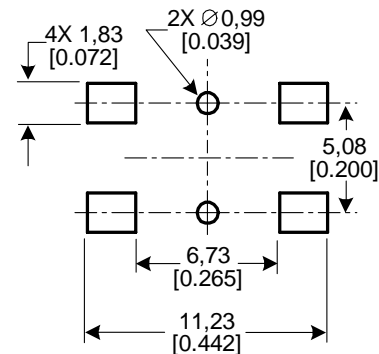
(1 psi, 5 psi, 15 psi)

ISSUE 2 PK 80167

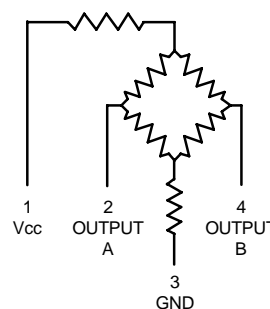
MOUNTING DIMENSIONS mm[in] for reference only)



SUGGESTED LAND PATTERN



CIRCUIT DIAGRAM



OUTPUT VOLTAGE

Output A increases as P2 pressure increases.

Output B decreases as P2 pressure increases.

TECHNICAL NOTES

Technical Notes that provide further application information on the 26PC SMT are available on the Honeywell Web site at: <http://www.honeywell.com/sensing/prodinfo/pressure/20pc>

WARRANTY/REMEDY

Honeywell warrants goods of its manufacture as being free of defective materials and faulty workmanship. Contact your local sales office for warranty information. If warranted goods are returned to Honeywell during the period of coverage, Honeywell will repair or replace without charge those items it finds defective. The foregoing is Buyer's sole remedy and is **in lieu of all other warranties, expressed or implied, including those of merchantability and fitness for a particular purpose.**

Specifications may change without notice. The information we supply is believed to be accurate and reliable as of this printing. However, we assume no responsibility for its use.

While we provide application assistance personally, through our literature and the Honeywell web site, it is up to the customer to determine the suitability of the product in the application.

For application assistance, current specifications, or name of the nearest Authorized Distributor, contact a nearby sales office. Or call:

1-800-537-6945 USA
1-800-737-3360 Canada
1-815-235-6847 International

FAX

1-815-235-6545 USA

INTERNET

www.honeywell.com/sensing
info.sc@honeywell.com