

CATALOG LISTING
SS5 SERIES CHART 1
PAGE 1 OF 5

ISSUE
12

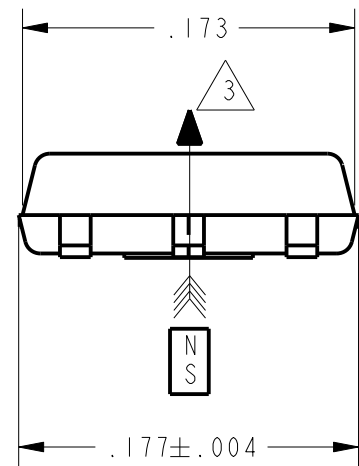
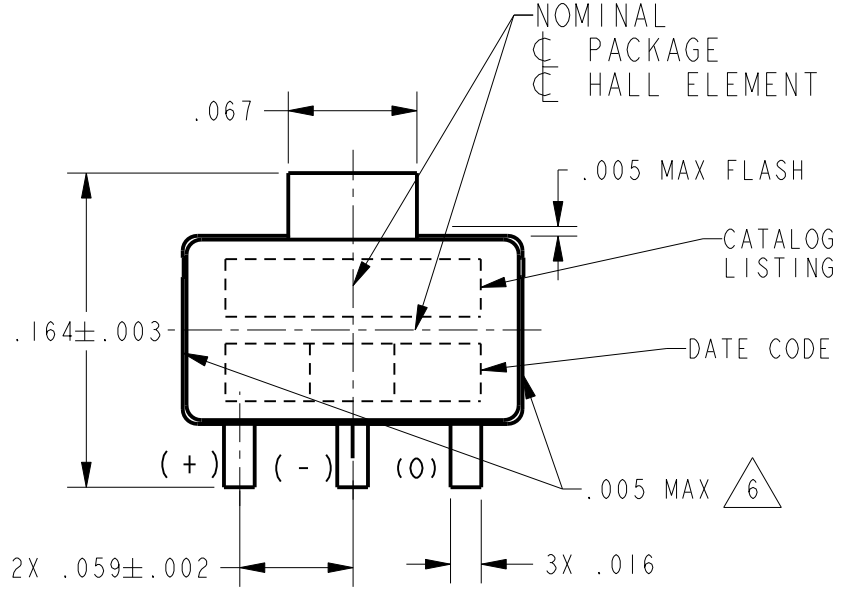
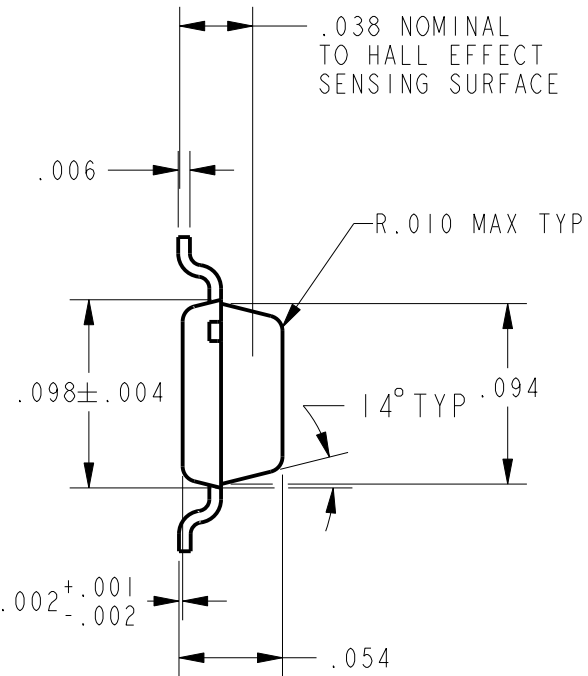
REVISIONS

B	REL DWG PR 23390	18 JAN 06	CHECK
C	WJC 27 JUL 98	18 JAN 06	CHECK
D	CO- 93692	18 JAN 06	CHECK
E	PPF 06 OCT 98	18 JAN 06	CHECK
F	CO- 93789	18 JAN 06	CHECK
G	KED 3 NOV 98	18 JAN 06	CHECK
H	CO- 93816	18 JAN 06	CHECK
I	KED 14 JAN 99	18 JAN 06	CHECK
J	CO- 94183	18 JAN 06	CHECK
K	WJC 1 MAR 99	18 JAN 06	CHECK
L	200505	18 JAN 06	CHECK
M	TSM 31 MAY 00	18 JAN 06	CHECK
N	H 201747	18 JAN 06	CHECK
O	LJK 20 NOV 00	18 JAN 06	CHECK
P	J 206174	18 JAN 06	CHECK
Q	GLH 8 AUG 02	18 JAN 06	CHECK
R	K 207146	18 JAN 06	CHECK
S	GLH 6 JAN 03	18 JAN 06	CHECK
T	12 0018451	18 JAN 06	CHECK
U	SR 18 JAN 06	18 JAN 06	CHECK

RELEASE NO. DR-4996

NOTES

- 1 - SOLDERING INSTRUCTIONS: EXPOSURE TO HIGH TEMPERATURES SHOULD BE KEPT AT A MINIMUM MICRO SWITCH RECOMMENDS AN INFRARED REFLOW PROCESS WITH PEAK TEMPERATURES NOT EXCEEDING 230°C (446°F) FOR 10 SECONDS MAXIMUM. DO NOT WAVE SOLDER THIS PRODUCT, AS THIS PROCESS MAY NEGATIVELY AFFECT THE SENSOR'S PERFORMANCE AND RELIABILITY. SUBJECTING THESE PRODUCTS TO WAVE SOLDERING WILL VOID MICRO SWITCH'S WARRANTY
- 2 ABSOLUTE MAXIMUM RATINGS ARE THE EXTREME LIMITS THE DEVICE WILL MOMENTARILY WITHSTAND WITHOUT DAMAGE TO THE DEVICE. ELECTRICAL AND MAGNETIC CHARACTERISTICS ARE NOT GUARANTEED IF THE SPECIFIED VOLTAGE AND/OR CURRENTS ARE EXCEEDED NOR WILL THE DEVICE NECESSARILY OPERATE AT ABSOLUTE MAXIMUM RATING
- 3 THE MAGNETIC FLUX USED TO OPERATE THE SWITCH MUST BE IN THE DIRECTION AND LOCATION SHOWN. (THIS ASSUMES THE CONVENTION THAT THE DIRECTION OF THE EXTERNAL FLUX OF A MAGNET IS FROM THE NORTH TO THE SOUTH POLE OF THE MAGNET)
- 4 THE MAGNETIC FIELD STRENGTH (GAUSS) REQUIRED TO CAUSE THE SWITCH TO CHANGE STATE (OPERATE AND RELEASE) WILL BE AS SPECIFIED IN THE MAGNETIC CHARACTERISTICS. TO TEST THE SWITCH AGAINST THE SPECIFIED MAGNETIC CHARACTERISTICS, THE SWITCH MUST BE PLACED IN A UNIFORM MAGNETIC FIELD
- 5 A "T" SUFFIX ON ANY CATALOG LISTING DESIGNATES THE PRODUCT WILL BE SUPPLIED IN TAPE AND REEL FORM PER EIA STD 481. SS5 SERIES SOLD IN TAPE AND REEL ONLY. SOME BASIC LISTINGS MAY NOT BE AVAILABLE
- 6 GATE VESAGE PERMITTED IN THESE AREAS. UNDERFLUSH BREAKOUT LIMITED TO .007
- 7 THESE HALL EFFECT SENSORS MAY HAVE AN INITIAL OUTPUT IN EITHER THE ON OR OFF STATE IF POWERED UP WITH AN APPLIED MAGNETIC FIELD IN THE DIFFERENTIAL ZONE (APPLIED MAGNETIC FIELD > Brp AND < Bop). MICRO SWITCH RECOMMENDS THAT THE APPLICATION CIRCUIT DESIGNER ALLOW 10 MICROSECONDS AFTER SUPPLY VOLTAGE HAS REACHED 5 VOLTS FOR THE OUTPUT VOLTAGE TO STABILIZE



CONVERSION TO METRIC DIMENSIONS			
DIMENSION IN INCHES	METRIC EQUIVALENT, MM	DIMENSION IN INCHES	METRIC EQUIVALENT, MM
.001	0,025	.095	2,413
.002	0,051	.098	2,489
.003	0,076	.157	3,988
.004	0,102	.164	4,166
.005	0,127	.173	4,394
.006	0,152	.177	4,496
.007	0,178	.181	4,597
.008	0,203	.197	5,004
.015	0,381	.217	5,512
.016	0,406	.230	5,842
.030	0,762	.314	7,976
.031	0,787	.315	8,001
.038	0,965	.472	11,989
.050	1,270	.480	12,192
.059	1,499	.512	13,005
.067	1,702	.724	18,390
.069	1,753	1.300	33,020
.078	1,981	1.970	50,038
.079	2,007	7.010	178,054
.094	2,388	10.000	254,000

CAUTION
ELECTROSTATIC SENSITIVE DEVICES
DO NOT OPEN OR HANDLE EXCEPT AT A STATIC FREE WORKSTATION

ESD SENSITIVITY: CLASS 3

THIRD ANGLE PROJECTION

SCALE NONE

DO NOT SCALE PRINT

UNLESS OTHERWISE SPECIFIED TOLERANCES ARE

ONE PLACE (.0) ±.030

TWO PLACE (.00) ±.015

THREE PLACE (.000) ±.005

ANGLES ±

WEIGHT

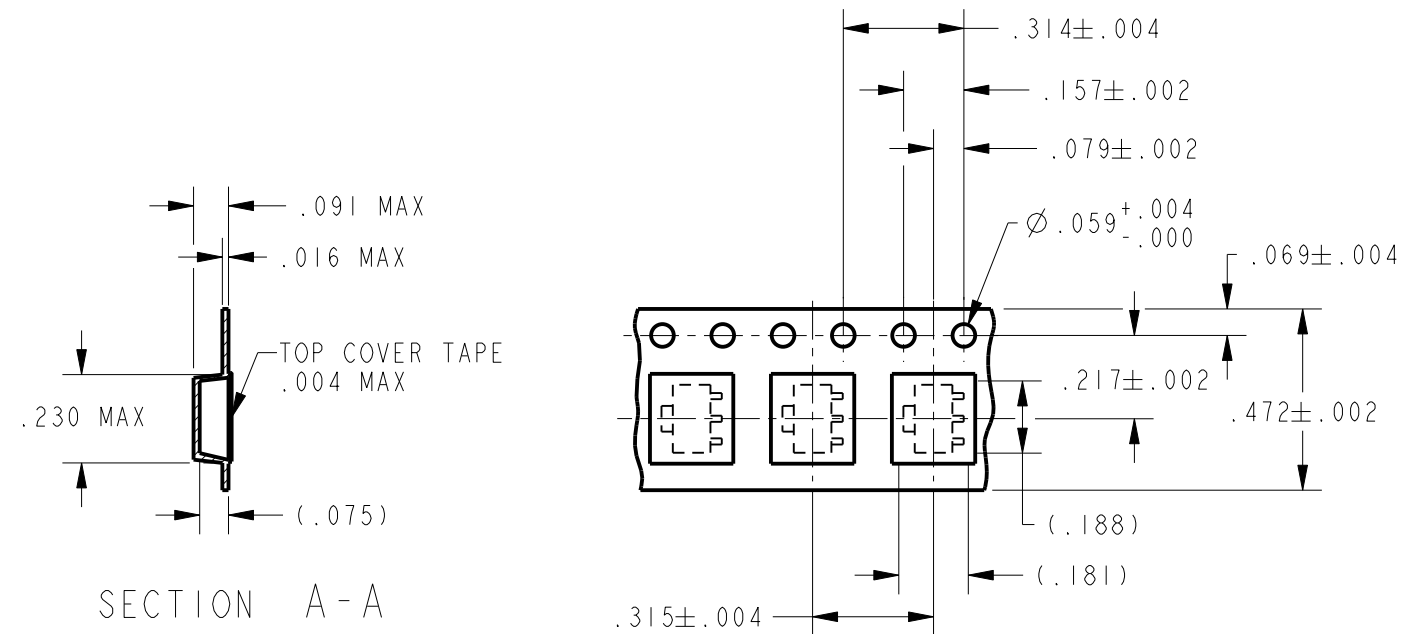
CATALOG LISTING SS5 SERIES CHART 1

ISSUE 12

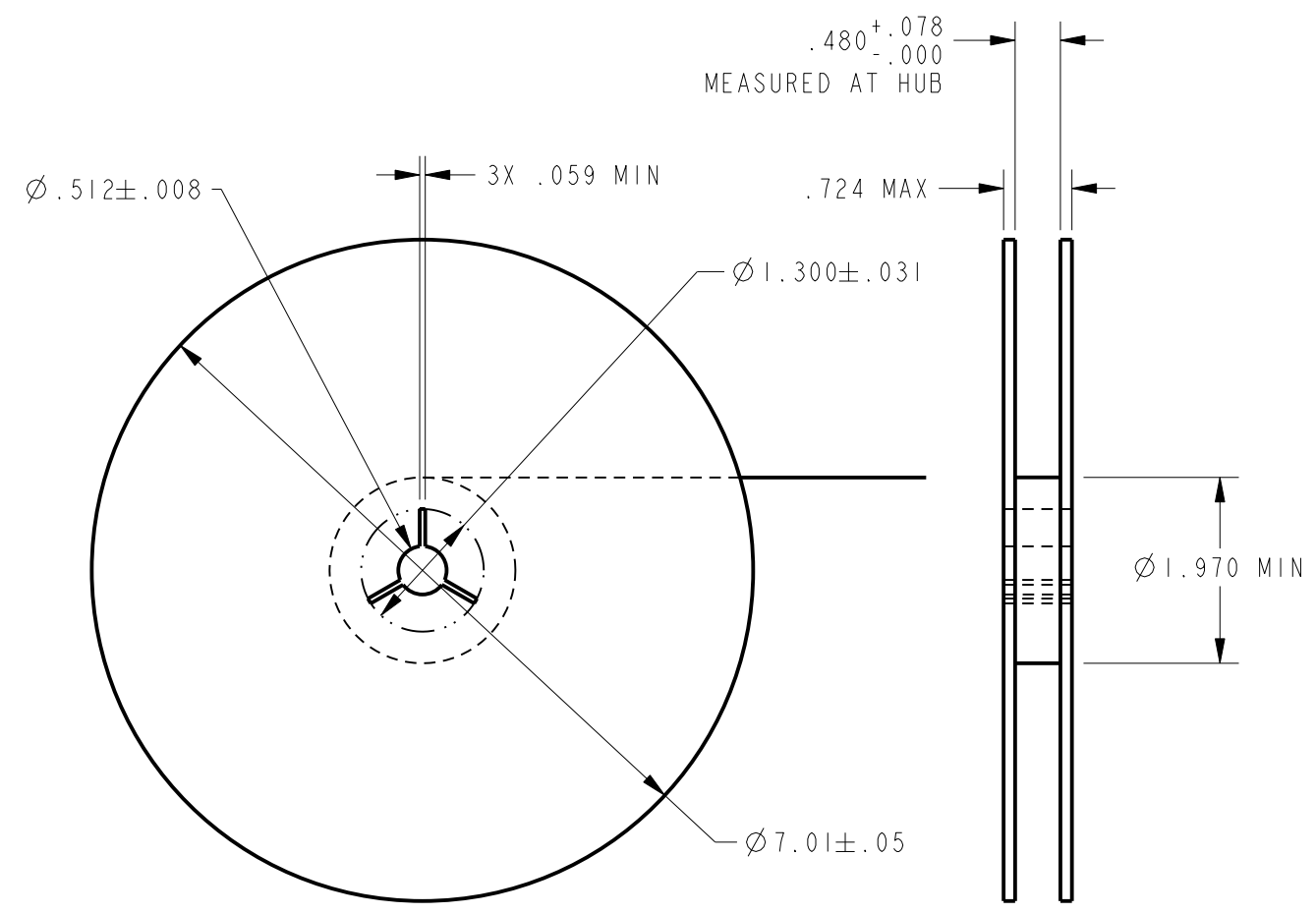
REVISIONS	
B	REL DWG PR-23390 WJC 27 JUL 98
C	CO-93692 PPF 06 OCT 98
D	CO-93789 RED 3 NOV 98
E	CO-93816 RED 14 JAN 99
F	CO-94183 WJC 1 MAR 99
G	200505 TSM 31 MAY 00
H	201747 LJK 20 NOV 00
J	206174 GLH 8 AUG 02
K	207146 GLH 6 JAN 03
12	0018451 SR 18 JAN 06

PTC/CAD 3D DRAWN WJC 5 JAN 98

RELEASE NO. DR-4996 CHECK 18 JAN 06 CHECK 19 JAN 98 CHECK 18 JAN 06



TAPE AND REEL DIMENSIONS 5



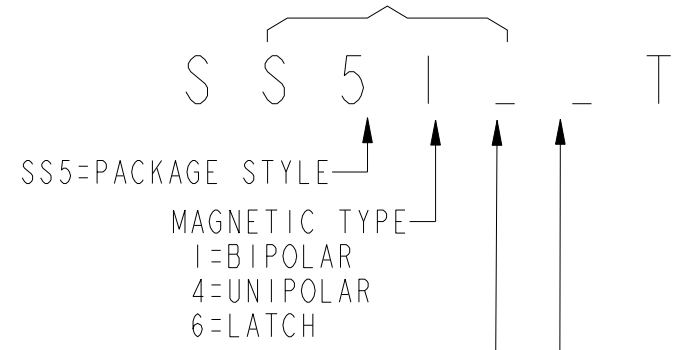
DIRECTION OF FEED FROM REEL

ANSI Y14.5M-1982 APPLIES

SS5 CATALOG SYSTEM 5

PREFIX
BASIC CATALOG LISTING:
PACKAGE STYLE, MAGNETIC TYPE,
ELECTRICAL/MAGNETIC SPECS

CHARACTERS IN THESE POSITIONS OF THE LISTING ARE BRANDED ON THE PRODUCT



RELATIVE GAUSS OPERATING RANGE
(BLANK, 0-9, 9=HIGH GAUSS)
ELECTRICAL/MAGNETIC OPTIONS
(BLANK, A-K & U-Z)
A=STANDARD
B-K & U-Z=SPECIALS

CAUTION
ELECTROSTATIC SENSITIVE DEVICES
DO NOT OPEN OR HANDLE EXCEPT AT A STATIC FREE WORKSTATION

ESD SENSITIVITY:
CLASS 3

THIRD ANGLE PROJECTION	
SCALE	NONE
DO NOT SCALE PRINT	
UNLESS OTHERWISE SPECIFIED TOLERANCES ARE	
ONE PLACE	(.0) ±.030
TWO PLACE	(.00) ±.015
THREE PLACE	(.000) ±.005
ANGLES	±
WEIGHT	

CATALOG LISTING
SS5 SERIES CHART 1

ISSUE
12

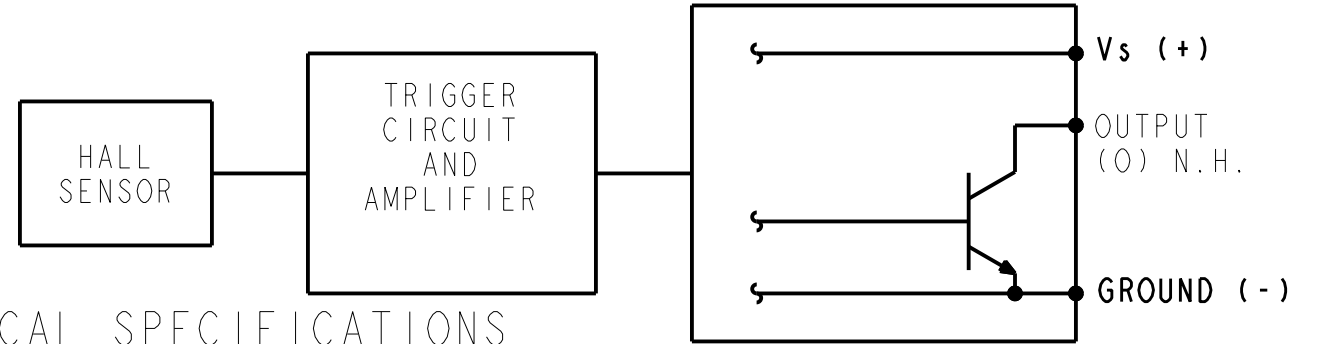
REVISIONS

B	REL DWG PR-23390	27 JUL 98
C	WJC CO-93789	3 NOV 98
D	KED CO-93816	14 JAN 99
E	WJC CO-94183	1 MAR 99
F	TSM 200505	31 MAY 00
G	LJK 201747	20 NOV 00
H	GLH 206174	8 AUG 02
J	GLH 207146	6 JAN 03
K	GLH 207146	6 JAN 03
12	SR 0018451	18 JAN 06

RELEASE NO. DR-4996
PAGE 3 OF 5
CHECK 18 JAN 06
CHECK 19 JAN 98
CHECK 5 JAN 98
DRAWN WJC

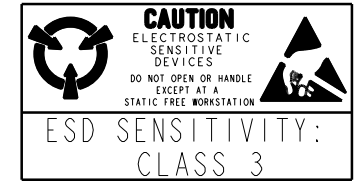
TABLE 1 - MAGNETIC SPECIFICATIONS $\triangle 4 \triangle 7$

LISTING	-40°C	0°C	25°C	85°C	125°C	150°C
MIN OPERATE GAUSS						
SS5IT	NS	NS	NS	NS	NS	NS
SS511AT	NS	NS	NS	NS	NS	NS
SS513AT	NS	NS	NS	NS	NS	NS
SS541AT	50	53	55	45	40	35
SS543AT	110	110	110	90	80	65
SS549AT	285	305	310	290	270	260
SS561AT	5	5	10	10	5	5
SS566AT	100	100	100	95	80	70
MAX OPERATE GAUSS						
SS5IT	145	145	140	150	200	250
SS511AT	70	65	60	60	65	70
SS513AT	140	140	140	140	140	140
SS541AT	135	117	115	120	123	125
SS543AT	215	190	180	180	190	200
SS549AT	435	400	390	400	410	420
SS561AT	110	90	85	85	100	110
SS566AT	200	185	180	180	180	185
MIN RELEASE GAUSS						
SS5IT	-145	-145	-140	-150	-200	-250
SS511AT	-70	-65	-60	-60	-65	-70
SS513AT	-140	-140	-140	-140	-140	-140
SS541AT	20	20	20	15	15	10
SS543AT	80	80	75	70	60	55
SS549AT	210	230	235	215	200	185
SS561AT	-110	-90	-85	-85	-100	-110
SS566AT	-200	-185	-180	-180	-180	-185
MAX RELEASE GAUSS						
SS5IT	NS	NS	NS	NS	NS	NS
SS511AT	NS	NS	NS	NS	NS	NS
SS513AT	NS	NS	NS	NS	NS	NS
SS541AT	120	99	95	105	115	120
SS543AT	190	165	155	165	180	195
SS549AT	360	325	315	325	340	345
SS561AT	-5	-5	-10	-10	-5	-5
SS566AT	-100	-100	-100	-95	-80	-70
MIN DIFF GAUSS						
SS5IT	40	50	50	50	60	NS
SS511AT	15	15	15	12	12	10
SS513AT	20	20	20	20	20	20
SS541AT	15	15	20	15	8	5
SS543AT	25	25	25	15	10	5
SS549AT	30	30	30	30	30	30
SS561AT	50	50	50	50	50	50
SS566AT	200	200	200	190	160	140



SS5XT ELECTRICAL SPECIFICATIONS

CHARACTERISTIC	TEST CONDITIONS	VALUES	UNITS
VOLTAGE RANGE		4.5 TO 24	VOLTS
MAX I _{on}	V _{cc} = 24V, -40°C < T < 150°C, B > MAX OP	10.0	mA
MAX I _{off}	V _{cc} = 24V, V _{out} = 24V, -40°C < T < 150°C, B < MIN REL	11.3	mA
SINK CURRENT		20	mA
MAX V _{sat}	V _{cc} = 4.5V TO 24V, T = 25°C, B > MAX OP	0.4	VOLTS
MAX LEAKAGE		10	μA
RISE TIME 10% TO 90%	V _{cc} = 12V, R _L = 1.6KΩ, C _L = 20pf	1.5	μS
FALL TIME 90% TO 10%	V _{cc} = 12V, R _L = 1.6KΩ, C _L = 20pf	1.5	μS



ABSOLUTE MAXIMUM RATINGS SS5XT $\triangle 2$

TEMPERATURE	-40°C TO +150°C
SUPPLY VOLTAGE	-28 VDC 28 VDC
VOLTAGE EXTERNALLY APPLIED TO OUTPUT	28.0 VDC MAX WITH SWITCH IN OFF COND. ONLY -0.5 VDC WITH SWITCH IN ON OR OFF COND.
OUTPUT CURRENT	20 mA
MAGNETIC FLUX	NO LIMIT

TABLE 2
SS5XX
OUTPUT CURRENT
ABSOLUTE LIMITS

SUPPLY VOLTAGE	OUTPUT CURRENT MAX, mA
-1 TO 24	50
24 TO 25	37
25 TO 26	33
26 TO 27	28
27 TO 28	24
28 TO 29	19
29 TO 30	15

SS5XXAT ELECTRICAL SPECIFICATIONS

CHARACTERISTIC	TEST CONDITIONS	VALUES	UNITS
VOLTAGE RANGE		3.8 TO 30	VOLTS
MAX I _{on}	V _{cc} = 30V, -40°C < T < 150°C, B > MAX OP	10.0	mA
MAX I _{off}	V _{cc} = 30V, V _{out} = 30V, -40°C < T < 150°C, B < MIN REL	10.0	mA
SINK CURRENT		20	mA
MAX V _{sat}	V _{cc} = 3.8V, B > MAX OP	0.4	VOLTS
MAX LEAKAGE		10	μA
RISE TIME 10% TO 90%	V _{cc} = 12V, R _L = 1.6KΩ, C _L = 20pf	1.5	μS
FALL TIME 90% TO 10%	V _{cc} = 12V, R _L = 1.6KΩ, C _L = 20pf	1.5	μS

ABSOLUTE MAXIMUM RATING SS5XXAT $\triangle 2$

CHARACTERISTIC	SYMBOL	MIN	MAX	UNITS
POWER SUPPLY	VCC	-1	30	VOLTS
OUTPUT VOLTAGE (OFF)	VOUT		30	VOLTS
OUTPUT ON CURRENT	I SINK		SEE TABLE 2	mA
OPERATING TEMPERATURE	T	-50	160	°C
STORAGE TEMPERATURE	T _s	-65	160	°C
MAGNETIC FLUX				

LISTING	TYPE	BRAND
SS5IT	BIPOLAR	SS5I
SS511AT	BIPOLAR	S511A
SS513AT	BIPOLAR	S513A
SS541AT	UNIPOLAR	S541A
SS543AT	UNIPOLAR	S543A
SS549AT	UNIPOLAR	S549A
SS561AT	LATCH	S561A
SS566AT	LATCH	S566A

THIRD ANGLE PROJECTION

SCALE NONE

DO NOT SCALE PRINT

UNLESS OTHERWISE SPECIFIED TOLERANCES ARE

ONE PLACE (.0)	±.030
TWO PLACE (.00)	±.015
THREE PLACE (.000)	±.005
ANGLES	±

WEIGHT

CATALOG LISTING
SS5 SERIES CHART 1

PAGE 4 OF 5

ISSUE
12

REVISIONS

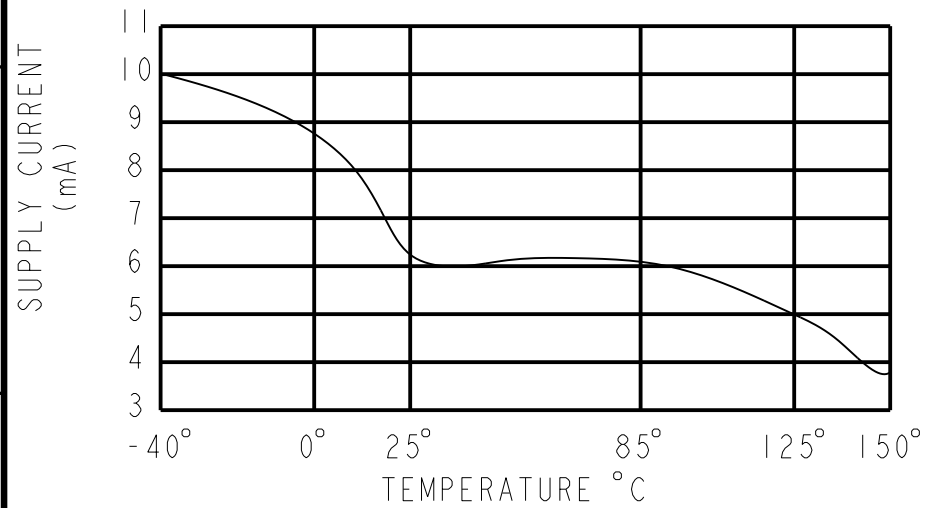
A	REL DWG PR-23390	18 JAN 06	CHECK
B	WJC 27 JUL 98	18 JAN 06	CHECK
C	CO- 93789	18 JAN 06	CHECK
D	RED 3 NOV 98	18 JAN 06	CHECK
E	CO- 93816	18 JAN 06	CHECK
F	RED 14 JAN 99	18 JAN 06	CHECK
G	CO- 94183	18 JAN 06	CHECK
H	WJC 1 MAR 99	18 JAN 06	CHECK
I	200505	18 JAN 06	CHECK
J	TSM 31 MAY 00	18 JAN 06	CHECK
K	201747	18 JAN 06	CHECK
L	LJK 20 NOV 00	18 JAN 06	CHECK
M	206174	18 JAN 06	CHECK
N	GLH 8 AUG 02	18 JAN 06	CHECK
O	207146	18 JAN 06	CHECK
P	GLH 6 JAN 03	18 JAN 06	CHECK
Q	12 0018451	18 JAN 06	CHECK
R	SR 18 JAN 06	18 JAN 06	CHECK

PTC/CAD 3D

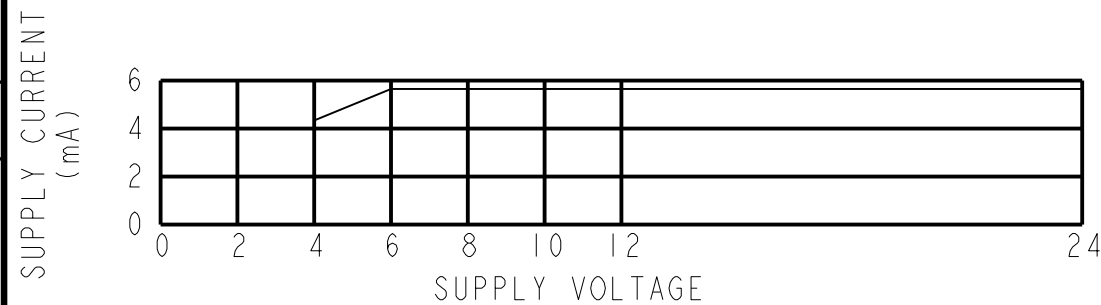
DRAWN

WJC 5 JAN 98 CHECK SAV 19 JAN 98 CHECK DGD 18 JAN 06 CHECK

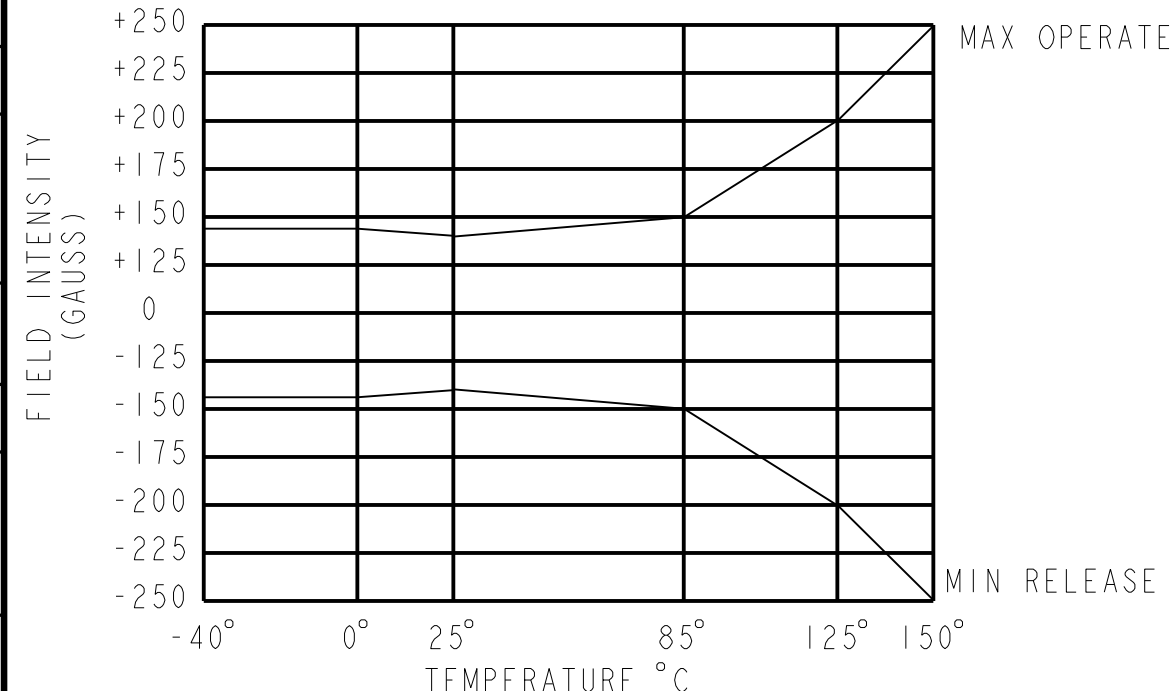
SS51T



MAXIMUM SUPPLY CURRENT VS TEMPERATURE (OFF)

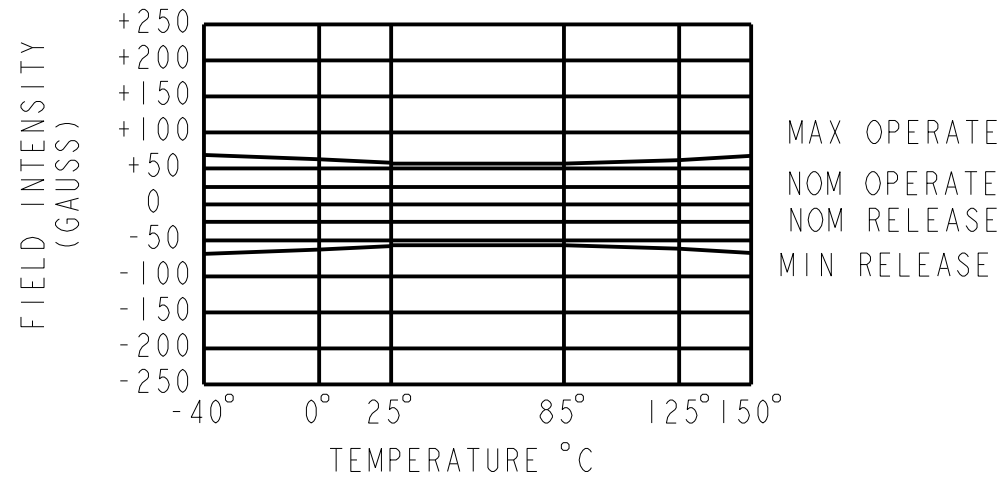


TYPICAL SUPPLY CURRENT (DEVICE OFF) AT 25°C

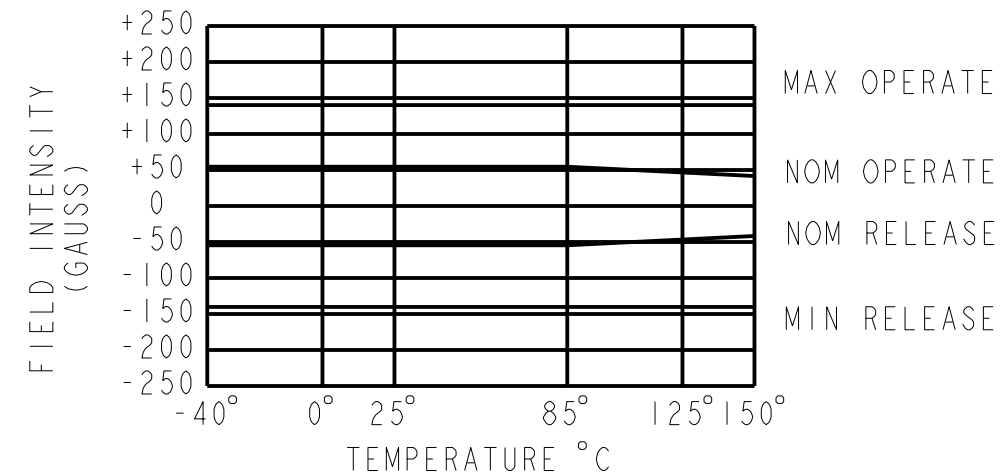


ANSI Y14.5M-1982 APPLIES

SS511AT



SS513AT



CAUTION
ELECTROSTATIC SENSITIVE DEVICES
DO NOT OPEN OR HANDLE EXCEPT AT A STATIC FREE WORKSTATION

ESD SENSITIVITY:
CLASS 3

THIRD ANGLE PROJECTION	
SCALE	NONE
DO NOT SCALE PRINT	
UNLESS OTHERWISE SPECIFIED TOLERANCES ARE	
ONE PLACE	(.0) ±.030
TWO PLACE	(.00) ±.015
THREE PLACE	(.000) ±.005
ANGLES	±
WEIGHT	

MICROSWITCH
a Honeywell Division

FED. MFG. CODE 91929

SOLID STATE SENSOR

CATALOG LISTING

SS5 SERIES CHART 1

THIS DRAWING COVERS A PROPRIETARY ITEM AND IS THE PROPERTY OF MICRO SWITCH, A DIVISION OF HONEYWELL. THIS DRAWING IS NOT TO BE COPIED OR USED WITHOUT THE APPROVAL OF MICRO SWITCH

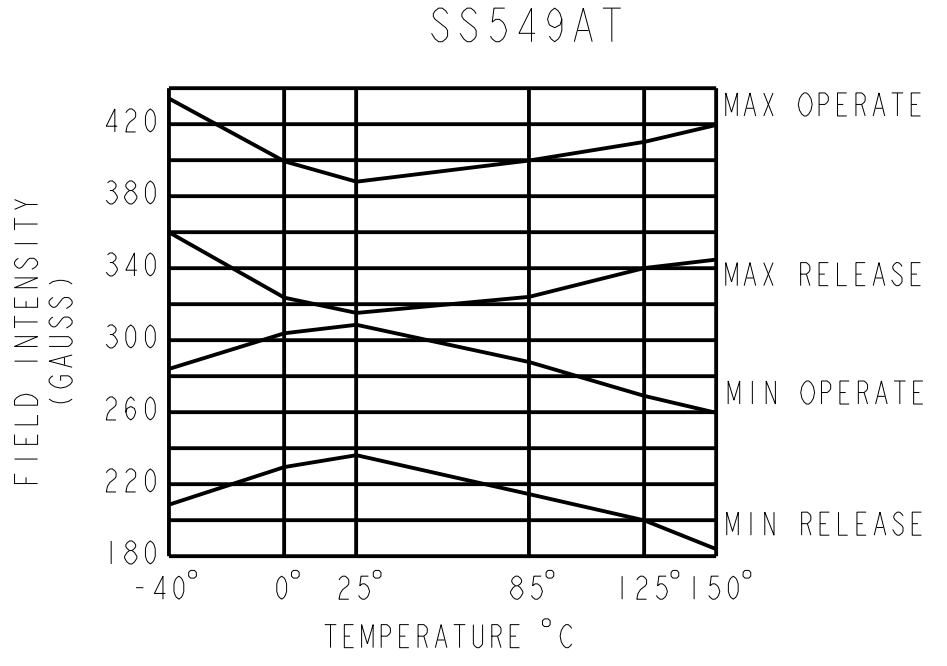
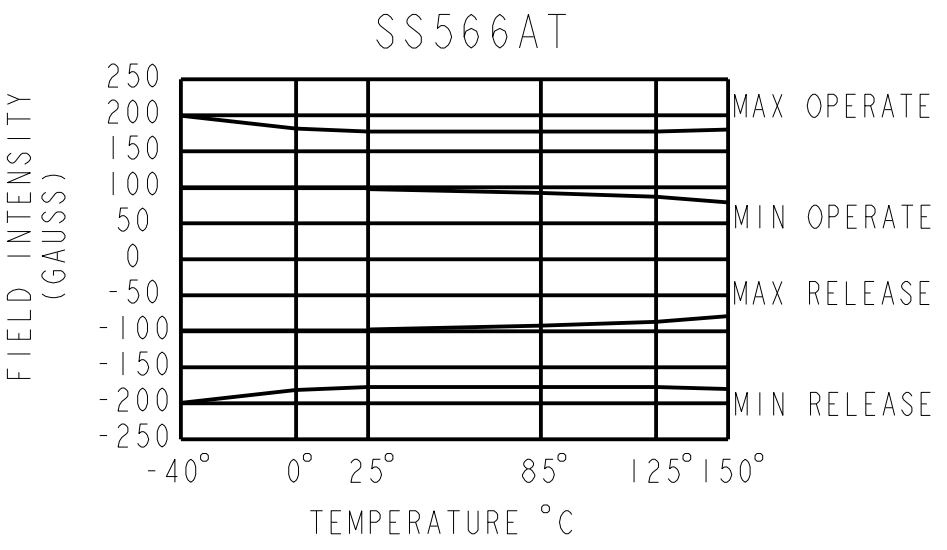
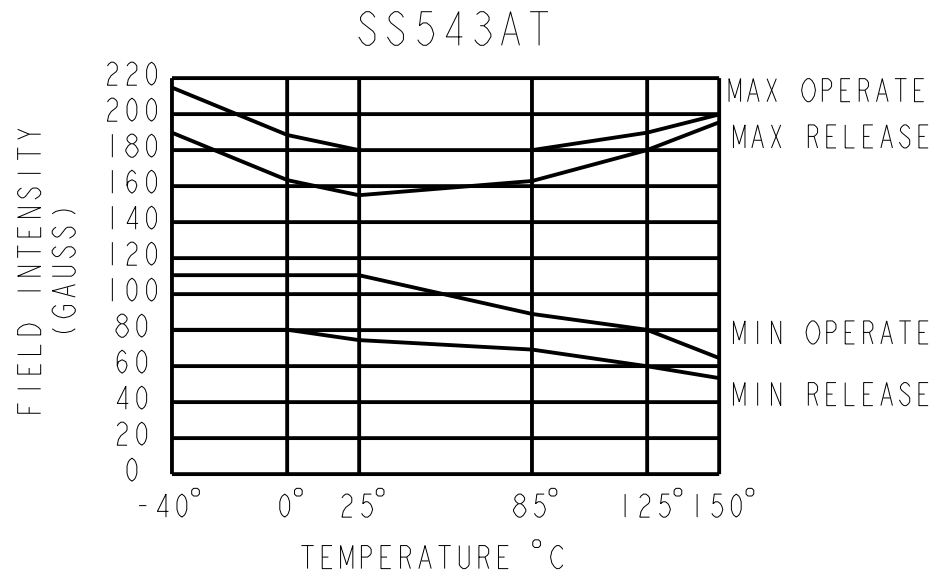
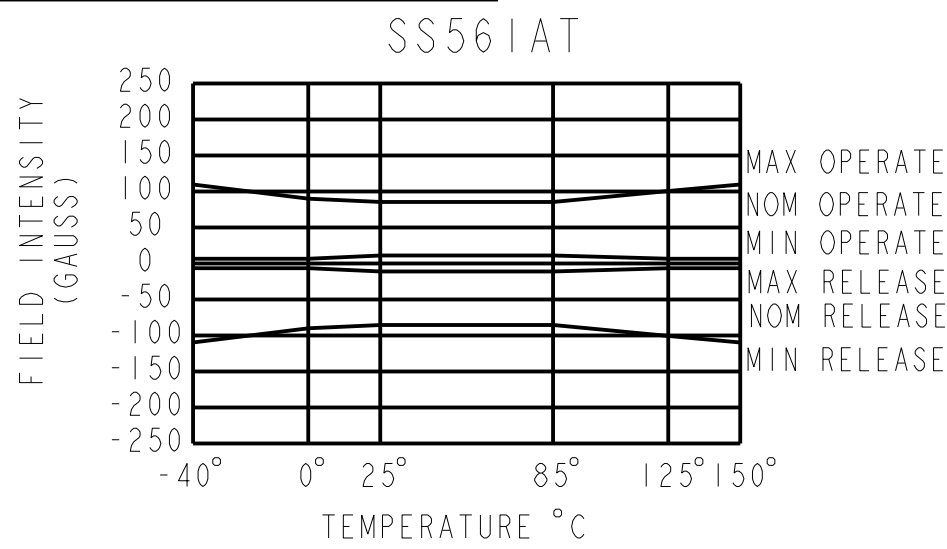
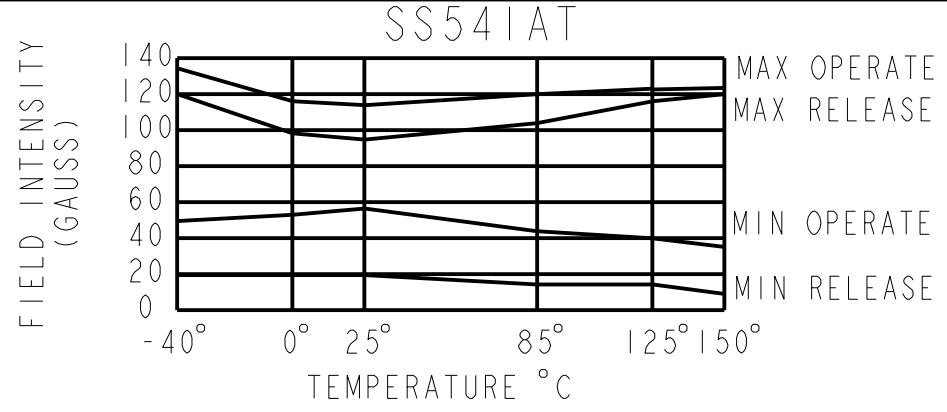
CATALOG LISTING
SS5 SERIES CHART 1

ISSUE
12

REVISIONS	
A	REL DWG PR-23390 WJC 27 JUL 98
B	CO- 93789 RED 3 NOV 98
C	CO- 93816 RED 14 JAN 99
D	CO- 94183 WJC 1 MAR 99
E	200505 TSM 8 JUN 00
F	201747 LJK 20 NOV 00
G	206174 GLH 8 AUG 02
H	207146 GLH 6 JAN 03
I	0018451 SR 18 JAN 06

PTC/CAD
3D
DRAWN

RELEASE NO. DR-4996
PAGE 5 OF 5
CHECK
18 JAN 06
DGD
19 JAN 02
SAV
5 JAN 98



ANSI Y14.5M-1982 APPLIES

CAUTION
ELECTROSTATIC SENSITIVE DEVICES
DO NOT OPEN OR HANDLE EXCEPT AT A STATIC FREE WORKSTATION

ESD SENSITIVITY:
CLASS 3

THIRD ANGLE PROJECTION	
SCALE	NONE
DO NOT SCALE PRINT	
UNLESS OTHERWISE SPECIFIED TOLERANCES ARE	
ONE PLACE	(.0) ±.030
TWO PLACE	(.00) ±.015
THREE PLACE	(.000) ±.005
ANGLES	±
WEIGHT	