

## Interactive Catalog Replaces Catalog Pages

Honeywell Sensing and Control replaces the PDF product catalog with the **Interactive Catalog**. The Interactive Catalog is a powerful search tool that makes finding product information easier than ever before. It includes installation, application, and technical information that you can't find in a PDF.

is  
ind



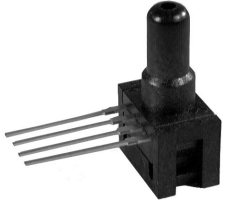
**Click this icon to try the new  
Interactive Catalog.**

---

# Pressure Sensors

## Absolute Unamplified Noncompensated

24PC Series



### FEATURES

- Absolute pressure measurement
- Miniature package
- 2-15 and 2-30 psi pressure ranges
- 2 mA constant current excitation significantly reduces sensitivity shift over temperature\*



### 24PC PERFORMANCE SPECIFICATIONS

Accuracy Specifications @ 10.0 ± .01 VDC Excitation, 25°C

Parameter	Range psia	bar	Min.	Typ.	Max.	Units
Excitation			—	10	12	VDC
Null Shift	2-15	1		±2.0	±4.0	mV
0 to 25°C, 25 to 50°C	2-30	2		±2.0	±5.5	
Linearity	2-15	1		.10	.20	% Span
B.F.S.L. P2 < P1**	2-30	2		.15	.30	
Sensitivity Shift						
0 to 25°C, 25 to 50°C	All			±5.0	±6.5	% Span
Repeatability & Hysteresis	All			±0.5		% Span
Input Resistance			4.0 K	5.0 K	6.0 K	Ohms
Output Resistance			4.0 K	5.0 K	6.0 K	Ohms
Weight			—	2.0	—	grams

Unamplified

### ENVIRONMENTAL SPECIFICATIONS

Operating Temperature	−40 to +85°C (−40 to +185°F)
Storage Temperature	−55 to +100°C (−67 to +212°F)
Shock	Qualification tested to 150 G
Vibration	Qualification tested to 0 to 2 kHz, 20 G sine
Media Compatibility	Limited only to those media which will not attack polyetherimide, silicon, fluorosilicone and silicone seals.

\*Span: the algebraic difference between output end points

\*\*B.F.S.L.: Best Fit Straight Line

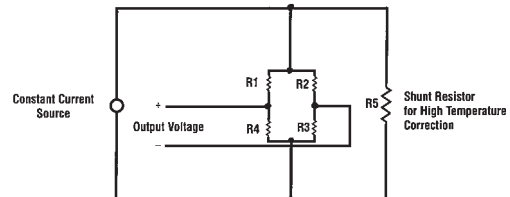
### 24PC ABSOLUTE ORDER GUIDE

Catalog Listing Type	Pressure Range psia	Span, mV			Null Offset mV			Sensitivity mV/psi Typ.	Over-pressure psia Typ.
		Min.	Typ.	Max.	Min.	Typ.	Max.		
24PCC	2-15	−140	−200	−260	−46	−16	+14	15	45
24PCD	2-30	−160	−300	−440	−61	−16	+29	11	60

\* Non-compensated pressure sensors, excited by constant current instead of voltage, exhibit temperature compensation of Span. Application Note #1 briefly discusses current excitation.

Constant current excitation has an additional benefit of temperature measurement. When driven by a constant current source, a silicon pressure sensor's terminal voltage will rise with increased temperature. The rise in voltage not only compensates the Span, but is also an indication of die temperature.

### Constant Current Excitation Schematic

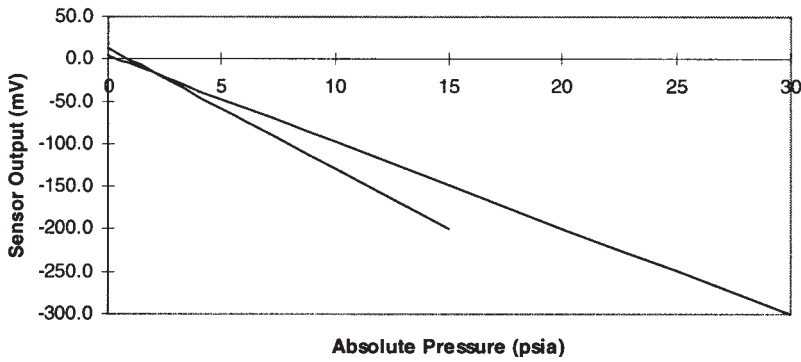


# Pressure Sensors

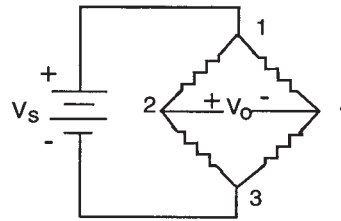
24PC Series

## Absolute Unamplified Noncompensated

### 24PC SERIES ABSOLUTE PRESSURE SENSOR OUTPUT CURVE



### EXCITATION SCHEMATIC



### TERMINATION STYLE

**Style 6 - 1 x 4**  
 Pin 1 =  $V_s$  (+)  
 Pin 2 = Output (+)  
 Pin 3 = Ground (-)  
 Pin 4 = Output (-)

Pin 1 is notched  
 Pin 2 is next to Pin 1, etc.

### SENSOR SELECTION GUIDE

2 Product Family	4 Circuit Type	PC Pressure Transducer	C Pressure Range	F** Type of Seal	D* Type of Port (P1)	6 Termination Style	A Pressure Measurement
2 20PC Family	4 Standard noncompensated		C 2-15 psia 1 bar D 2-30 psia 2 bar	F Fluoro-silicone	A Straight D Modular	6 1 x 4 (.600" long)	A Absolute

\*Port type refers to P1

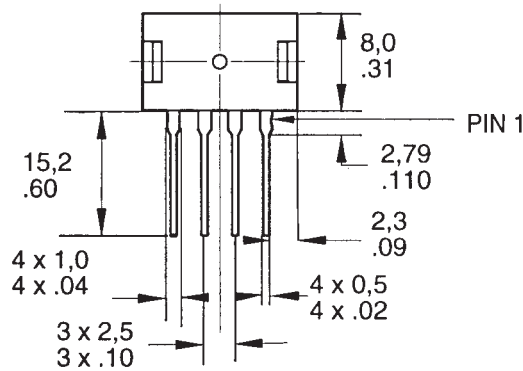
\*\*Media seal is on P1 side and will not be in contact with media

**Example:** 24PCCFD6A

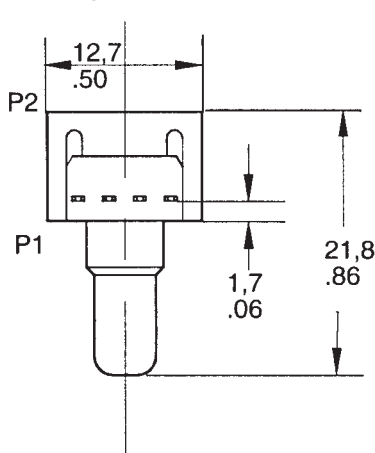
Non-compensated 15 psi Absolute sensor with fluorosilicone seal, modular port, 1 x 4 terminals, .600" long.

See **Accessory Guide**, page 27.

### MOUNTING DIMENSIONS (for reference only)



#### A Straight Port



#### D Modular Port

