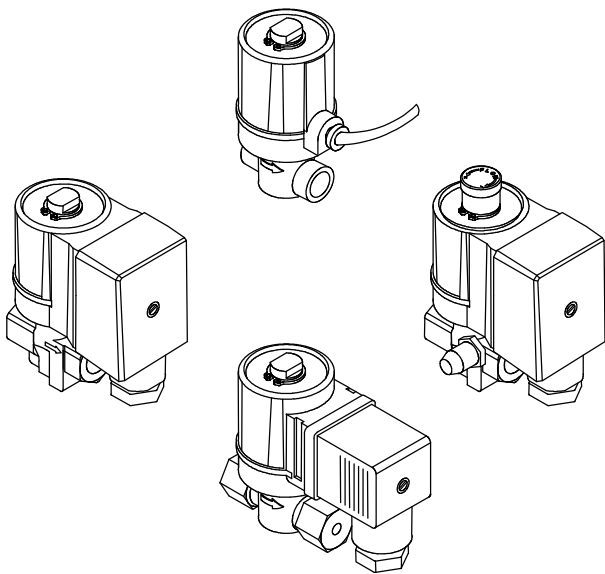


E8/... SERIES

SOLENOID GAS VALVES WITH 1/8" and 1/4" CONNECTIONS AND OPERATING PRESSURE UP TO 1bar.



GENERAL DESCRIPTION

This series of solenoid valves are of normally closed type, suitable for civil and industrial applications, supplied with alternate or direct current.

E8/S version, which can be fitted with a flow adjustment device and outlet pressure plug, are supplied with alternate current, but provided with an inside rectification circuit, which permitted to make actions as silent as possible.

Gas valves of this series, conforming to EN161, have a CE type Certificate (CE Reg. N° 63AQ0626) in accordance to European directives 90/396 and 93/68.

TECHNICAL FEATURES

Class:	A
Group:	2
Supply voltage (1):	230Vac / 50-60Hz 110Vac / 50-60Hz
Operating temperature:	-10°C / +60°C
Closing time:	≤ 1s
Opening time:	≤ 1s
Mounting:	vertical and horizontal
Body:	die-cast brass

(1) Versions with different supply voltages are available.

INSTALLATION

- Respect the applicable national and European standards (e.g. EN60335-1) regarding electrical safety.
- Assemble the valve to the installation so that the arrow on the valve body has the same direction as the fuel flow.
- During the assembly of the valve to the installation piping, avoid twisting on the sheath and always use an hexagonal key to be fitted to the valve body.
- Make sure that no foreign matters have entered the valve body.
- Make sure that the max. fuel input pressure never exceeds the value appearing on the label.

FLOW ADJUSTMENT FOR E8/SR...

After removing the top protection, rotate clockwise the screw marked with 1 in Fig.1 to reduce the flow, rotate it counterclockwise to increase the same.

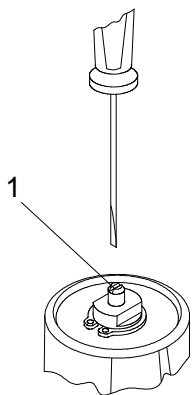
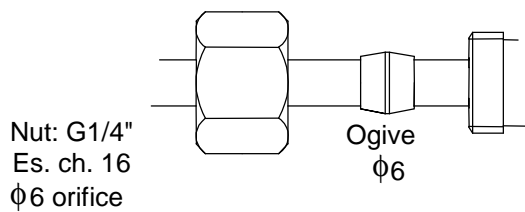
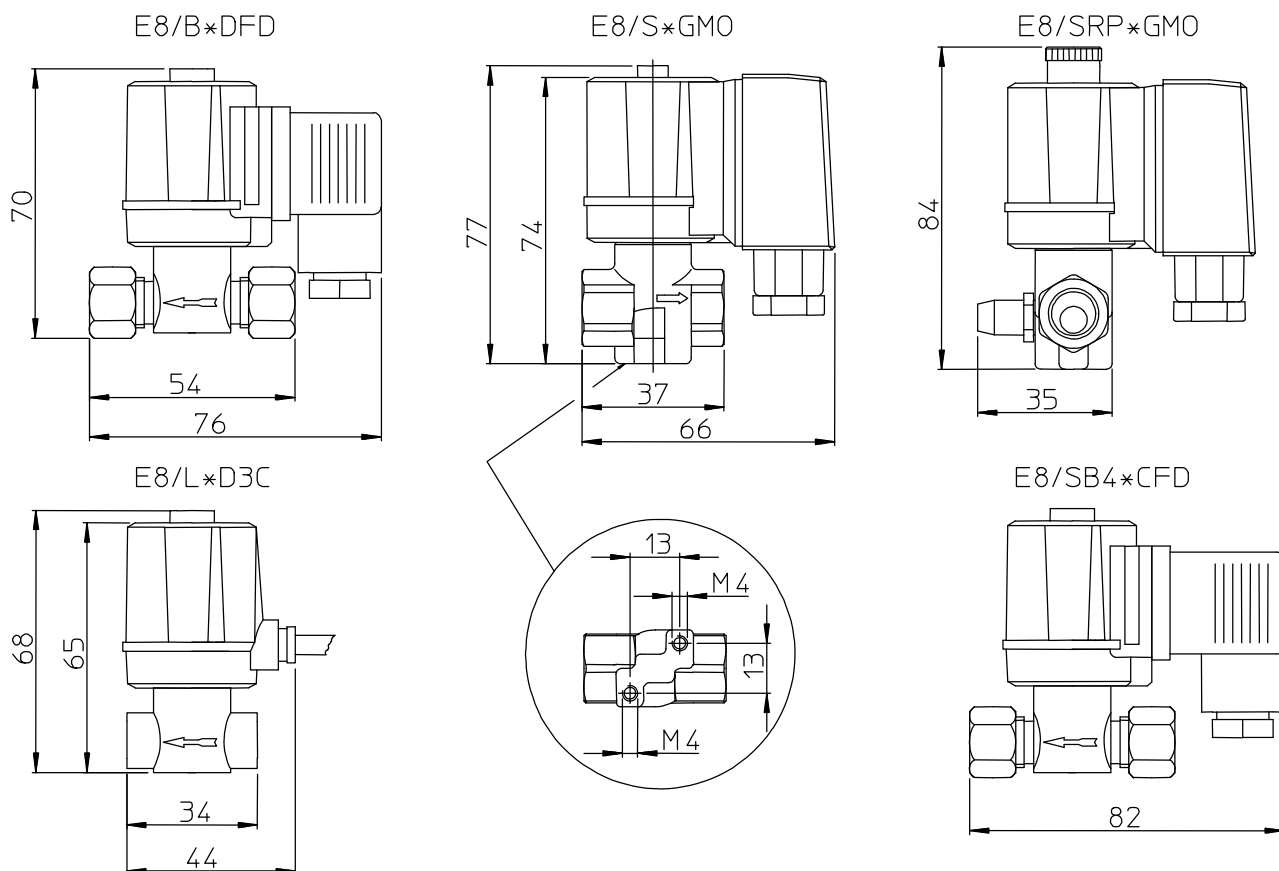


Fig.1

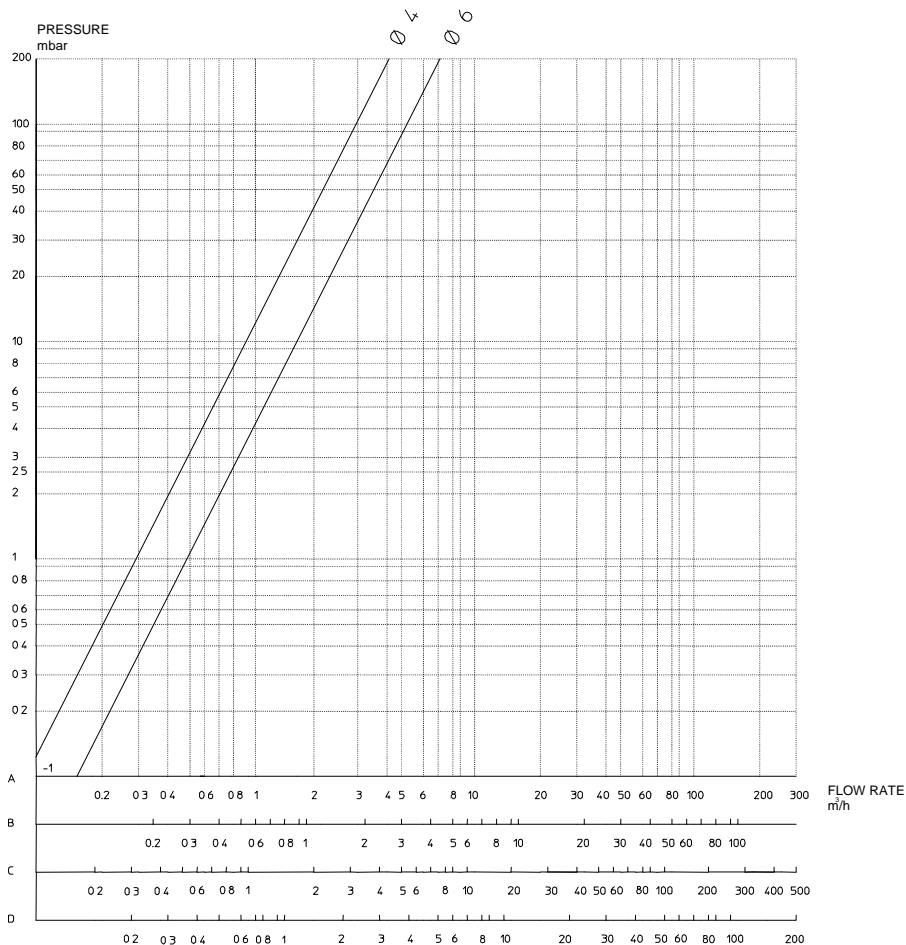
E8/B FIXING



OVERALL DIMENSIONS



DIAGRAM



A: standard flow rate m³/h of NATURAL GAS dr 0.554

B: standard flow rate m³/h of LPG dr 1.54

C: standard flow rate m³/h of TOWN GAS dr 0.411

D: standard flow rate m³/h of AIR dr 1

SUMMARY TABLE

Type	Operating pressure (mbar)	Orifice diameter (mm)	Connections	Weight (g)	Coil	Consumption (VA) 230Vac	Consumption (VA) 110Vac	Flow (m ³ /h gas with ΔP 2.5mbar)	Possibility to fit pressure test point
------	---------------------------	-----------------------	-------------	------------	------	----------------------------	----------------------------	--	--

E8/B	0 ÷ 1000	4	1/4" M	243	BE7*D3C	10	10	0.5	No
E8/B	0 ÷ 1000	4	1/4" M	222	BE7*DFP	10	10	0.5	No
E8/B	0 ÷ 1000	4	1/4" M	222	BE7*DFD+MPM182	10	10	0.5	No
E8/B	0 ÷ 1000	4	1/4" M	243	BE7*C3C	7	7	0.5	No
E8/B	0 ÷ 1000	4	1/4" M	222	BE7*CFP	7	7	0.5	No
E8/B	0 ÷ 1000	4	1/4" M	222	BE7*CFD+MPM182	7	7	0.5	No
E8/L	0 ÷ 1000	4	1/8" F	230	BE7*D3C	10	10	0.5	No
E8/L	0 ÷ 1000	4	1/8" F	220	BE7*DFP	10	10	0.5	No
E8/L	0 ÷ 1000	4	1/8" F	220	BE7*DFD+MPM182	10	10	0.5	No
E8/L	0 ÷ 1000	4	1/8" F	230	BE7*C3C	7	7	0.5	No
E8/L	0 ÷ 1000	4	1/8" F	220	BE7*CFP	7	7	0.5	No
E8/L	0 ÷ 1000	4	1/8" F	220	BE7*CFD+MPM182	7	7	0.5	No
E8/S	0 ÷ 100	6	1/4" F	280	BE7*GMO	7	7	0.8	Yes
E8/S	0 ÷ 100	6	1/4" F	260	BE7*C3C	7	7	0.8	Yes
E8/S	0 ÷ 100	6	1/4" F	250	BE7*CFP	7	7	0.8	Yes
E8/S	0 ÷ 100	6	1/4" F	250	BE7*CFD+MPM182	7	7	0.8	Yes
E8/S	0 ÷ 100	6	1/4" F	250	BE7*CFD+MPM532	7	7	0.8	Yes
E8/SR	0 ÷ 100	6	1/4" F	290	BE7*GMOE	13	7	0.8	Yes
E8/SRP	0 ÷ 100	6	1/4" F	290	BE7*GMOE	13	7	0.8	Yes
E8/SB4	0 ÷ 200	4	1/4" M	225	BE7*C3C	7	7	0.5	No
E8/SB4	0 ÷ 200	4	1/4" M	235	BE7*CFD+MPM182	7	7	0.5	No

TYPE REFERENCES

E8 / S R P * G MO 230/50-60

Type _____

Body type _____

Body	Connections	Orifice
B	G1/4" M	4 mm
L	G1/8" F	4 mm
S	G1/4" F	6 mm
SB4	G1/4" M	4 mm

Flow adjustment _____

Valve fitted with equipment for flow adjustment.

Pressure plug _____

Valve inclusive of pressure plug.

Supply voltage

Type	Description
110/50-60	110Vac/50-60Hz
230/50-60	230Vac/50-60Hz

Connection type

Type	Description
2C	Connection with two core cable-IP65.
3C	Connection with three core cable-IP65.
FP	Connection with flat fast-on.
FD	Connection with fast-on for plug DIN43650-IP65.
MO	Connection with terminal board-IP40.
MOE	Connection with terminal board for valve inclusive of flow adjustment-IP40.

Winding type

Type	Description
A	Supply in alternate current.
B	Supply in alternate current with use of two external diodes: the first in series to the coil, the other in parallel to it.
C	Supply in direct current.
D	Supply in alternate current, but valve operates in direct current thanks to two embodied diodes.
G	Supply in alternate current, but valve operates in direct current thanks to an embodied rectification bridge.