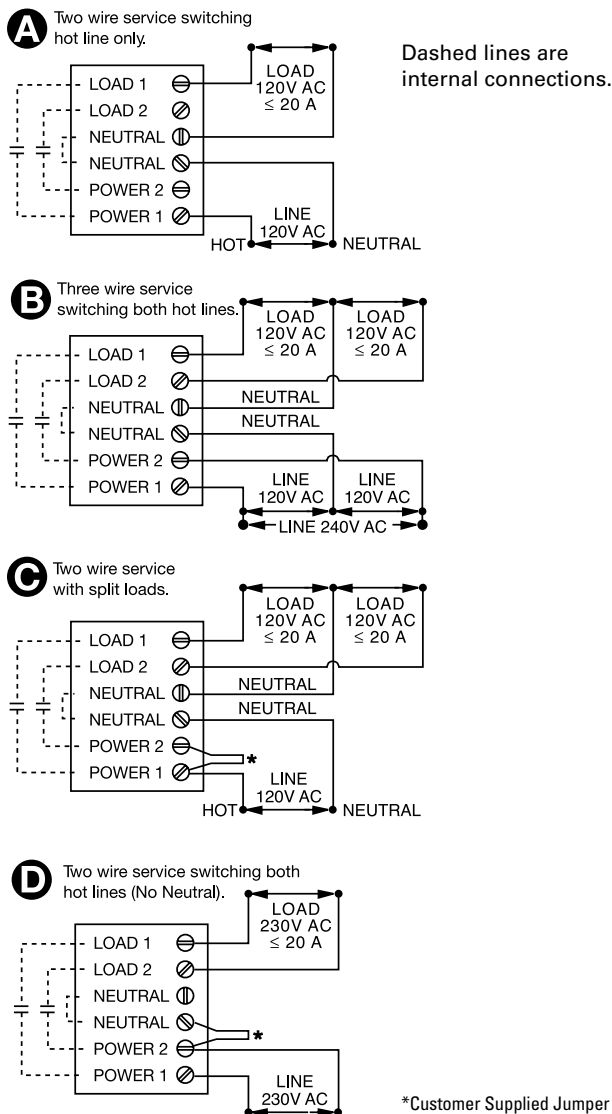


PCR SERIES

Photo Control



Wiring Diagram



Description

The PCR Series of photo controls is a combination of precision electronic circuitry, electromechanical output, and unique molded plastic housing. Designed and built to meet the demands of the most rigorous requirement of tower and obstruction lighting control, each unit is factory calibrated to meet FAA and FCC specifications. Electronic circuit, output contactor, and terminal block are all contained within front plastic housing. Edge support molded into the bottom edge of housing allows easy wiring of new and existing installations. Available with or without cast aluminum junction box.

Operation

When the amount of light sensed falls below the actuation level for energization, the output relay energizes. Conversely, when the amount rises above the actuation level for de-energization, the output relay de-energizes.

Features & Benefits

FEATURES	BENEFITS
ABS plastic housing with gasket seal	Withstands outdoor environmental hazards and protects circuitry from moisture damage
Two 20A relay contacts	Allows direct control of a lighting circuit without a separate contactor
Fixed time delay	Eliminates contact chatter
Reliable photo sensor	Provides automatic lighting circuit operation from dusk to dawn

Ordering Information

MODEL	INPUT	DESCRIPTION	REPLACES	
			Hughey & Phillips	Crouse Hinds
PCR10	120VAC	Photo Control without aluminum box	n/a	n/a
PCR11	120VAC	Photo Control without aluminum box	PC800 120V	PEC52010
PCR12	230VAC	Photo Control with aluminum box	n/a	n/a
PCR13	230VAC	Photo Control with aluminum box	PC800 240V	PEC52010-1

If you don't find the part you need, call us for a custom product 800-843-8848

PCR SERIES

Specifications

Indication	LED indicates power is applied
Light Actuation Levels (Factory Calibrated)	Energized: ≤ 35 fc De-energized: ≥ 60 fc
Voltage	120VAC or 230VAC
AC Line Frequency	50/60Hz
Tolerance	-20% - 10%
120 & 230VAC	Two SPST NO 20A contacts
Output Rating	1 hp @ 120VAC 2.5 hp @ 240VAC
Termination	Screw terminals for up to #8 (M4 x 0.7) AWG wire
Dimensions	H 159.51 mm (6.28"); W 127 mm (5.0"); D 131.75 mm (5.19")
Mounting	ABS plastic housing with gasket seal. Multiple knockout holes for optional mounting to Crouse Hinds or Hughey & Phillips cast aluminum electrical boxes.
Operating/Storage Temperature	-40° to 60°C / -55° to 85°C

Mouser Electronics

Authorized Distributor

Click to View Pricing, Inventory, Delivery & Lifecycle Information:

[Littelfuse:](#)

[PCR10](#) [PCR12](#) [PCR13](#) [PCR11](#)