

CotoMOS® C570S/C670S

The C570S/C670S features current switching capability to 440mA with a low on resistance of 1.6Ω Maximum. Designed for Security, Measurement and Instrumentation applications the CotoMOS® relay is capable of handling 60V load conditions. If your requirements are different please contact your Coto Applications Engineer for assistance through www.cotorelay.com.

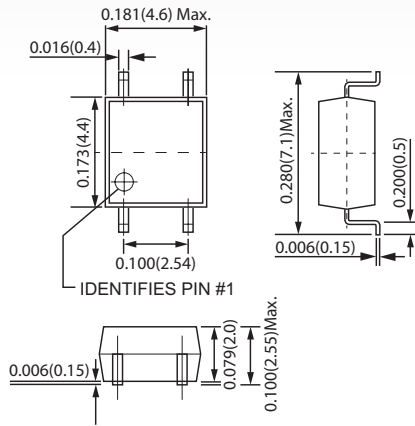
C570S/C670S Features

- ▶ Contact Form: 1B/2B
- ▶ Load Voltage: 60V Maximum
- ▶ Operation LED Current: 3.0mA Maximum
- ▶ Load Current: 440mA Maximum
- ▶ On-Resistance: 1.6Ω Maximum
- ▶ Output Capacitance: 165F Typical
- ▶ Low Off-State Leakage Current: 10μ A Maximum

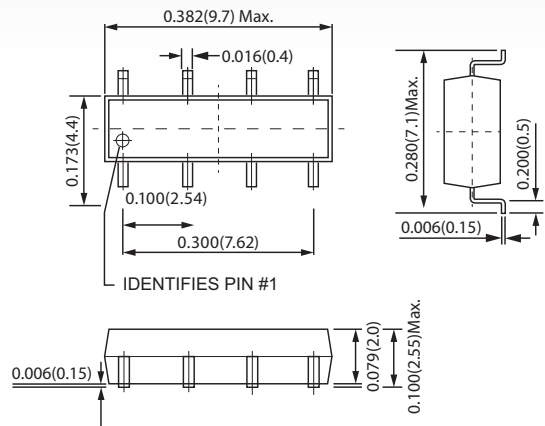
DIMENSIONS

in Inches (Millimeters)

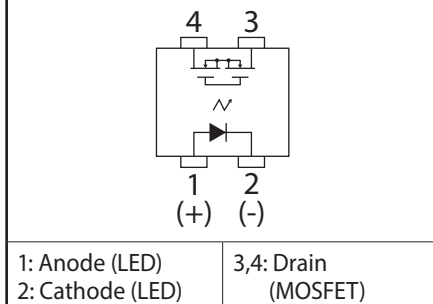
C570S



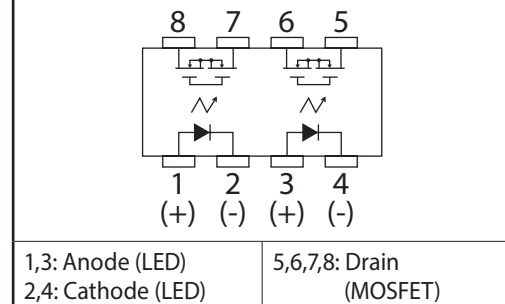
C670S



TERMINAL IDENTIFICATION



TERMINAL IDENTIFICATION



C570S/C670S MAXIMUM RATINGS (Ambient Temperature: 25°C)

Parameters	Symbol	Units	Value (SOP 4/8)
INPUT SPECIFICATIONS			
Continuous LED Current	I _F	mA	50
Peak LED Current	I _{FP}	mA	500
LED Reverse Voltage	V _R	V	5
Input Power Dissipation	P _{in}	mW	75
OUTPUT SPECIFICATIONS			
Load Voltage	V _L	V (AC peak or DC)	60
Load Current	I _L	mA	400 / 350
Peak Load Current	I _{Peak}	A	600 / 600
Output Power Dissipation	P _{Out}	mW	300 / 450
RELAY SPECIFICATIONS			
Total Power Dissipation	P _T	mW	350 / 500
I/O Breakdown Voltage	V _{I/O}	V _{RMS}	1500
Operating Temperature	T _{Opr}	°C	-40 ~ +85
Storage Temperature	T _{Stg}	°C	-40 ~ +100

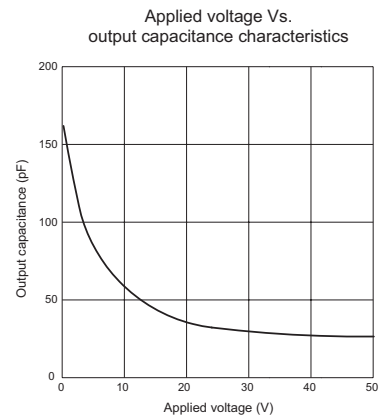
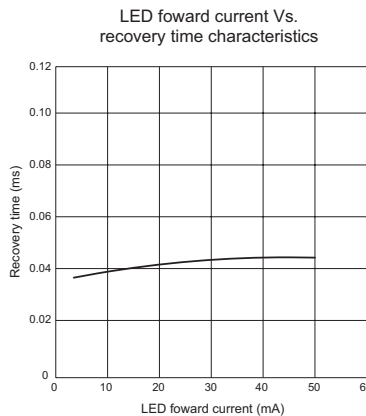
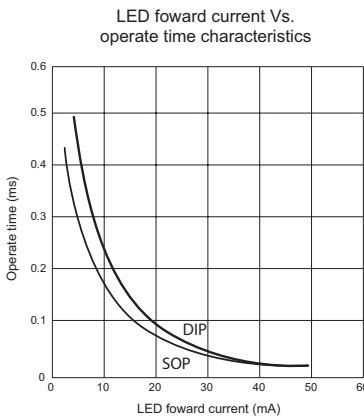
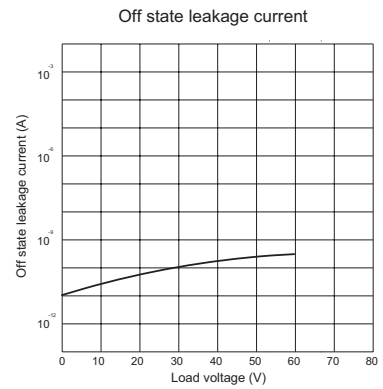
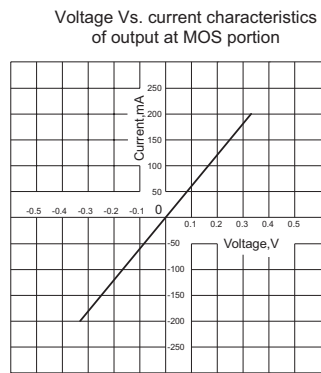
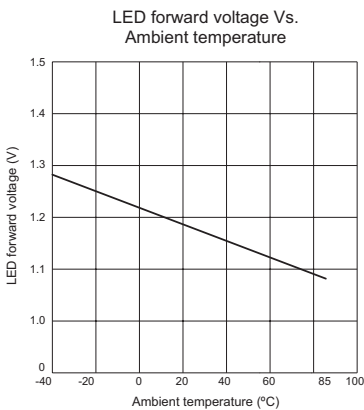
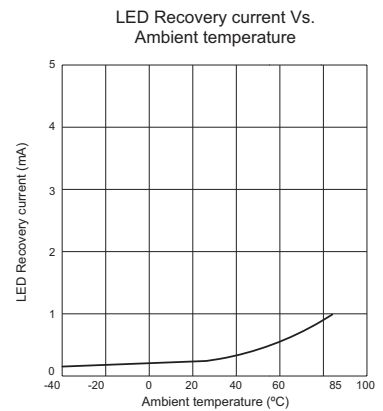
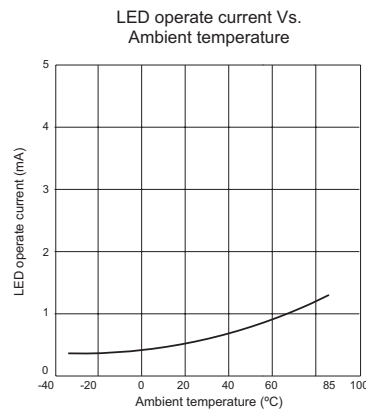
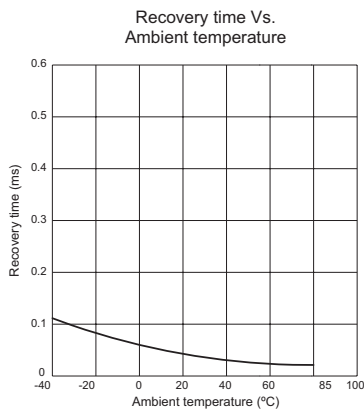
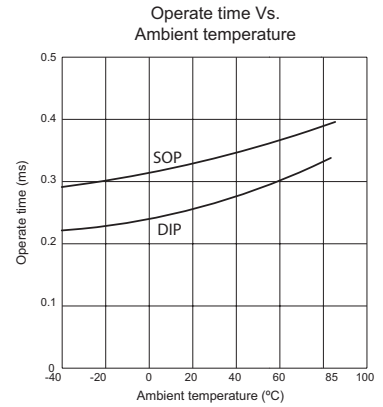
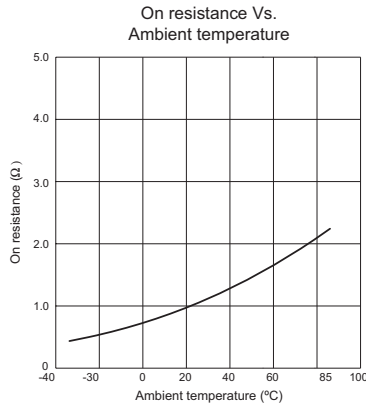
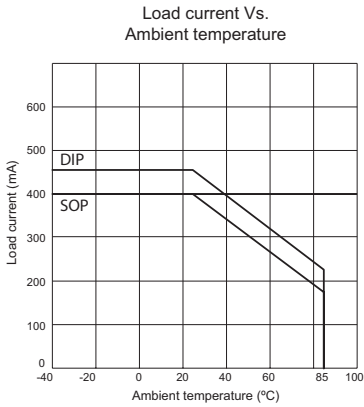
C570S/C670S ELECTRICAL SPECIFICATIONS (Ambient Temperature: 25°C)

Parameters	Symbol	Test Conditions	Units	Min	Typ	Max
INPUT						
LED Forward Voltage	V _F	I _F =10mA	V	1.0	1.17	1.5
Operation LED Current	I _{F On}		mA		0.9	3.0
Recovery LED Voltage	V _{F off}		V	0.5	1.0	
OUTPUT						
On-Resistance Drain to Drain	R _{On}	I _F =0mA, I _L =Rating Time to flow is within 1 sec.	Ω		0.75	1.6
Off-State Leakage Current	I _{Leak}	I _F =10mA, V _L =60V	μA			10
Output Capacitance	C _{Out}	I _F =10mA, V _L =0V, f=1MHz	pF		165	
TRANSMISSION						
Operate Time	T _{On}	I _F =5mA, I _L =Rating	ms		0.35	3.0
Recovery Time	T _{Off}	I _F =5mA, I _L =Rating	ms		0.05	1.0
COUPLED						
I/O Insulation Resistance	R _{I/O}		Ω	10 ⁹		
I/O Capacitance	C _{I/O}	f=1MHz	pF		1.3	

Environmental Ratings:

Operating Temp: -40°C to +85°C; Storage Temp: -40 to +100°C.
All electrical parameters measured at 25°C unless otherwise specified.

470/570/670 SERIES GRAPHS



Mouser Electronics

Authorized Distributor

Click to View Pricing, Inventory, Delivery & Lifecycle Information:

[Coto Technology:](#)

[C570S](#) [C670S](#)